

Hoshizaki America, Inc.

Commercial Refrigerators & Freezers TempGuard® Series

Models
FH1-SSB(-HD)



“A Superior Degree
of Reliability”

www.hoshizaki.com

PARTS LIST



Number: 71224
Issued: 3-8-1999
Revised: 4-29-2008

CONTENTS

Auxiliary Codes.....	3
Note About Ordering Parts	3
Material Abbreviations.....	4
A. Reach-In.....	5
FH1-SSB	5
FH1-SSB-HD.....	8
B. Refrigeration System.....	11
C. Control Panel Assembly.....	16
D. Body-Final.....	17
FH1-SSB	17
FH1-SSB-HD.....	20
E. Panel-Front Hinged Assembly	23
F. Label Location.....	24
G. Evaporator Fan Shroud Assembly.....	25
H. Evaporator Assembly.....	27
J. Condenser Assembly.....	29
K. Control Box Assembly.....	32
KK. Common Control Box	34
L. Body-Prefinal	36
M. Door-Right	39
FH1-SSB	39
N. Door-Half (UR).....	41
FH1-SSB-HD.....	41
P. Door-Half (LR).....	43
FH1-SSB-HD.....	43
Q. Mullion-Horizontal	45
FH1-SSB-HD.....	45
R. Distributor-Air Top Assembly	46
S. Accessories & Packaging.....	47

Auxiliary Codes

FH1-SSB	H-0	May 1998	FH1-SSB-HD	H-0	September 1998
	J-0	March 1999		J-0	January 1999
	J-1	September 1999		J-1	September 1999
	J-2	October 1999		J-2	October 1999
	K-0	December 1999		K-0	December 1999
	K-1	June 2000		K-1	June 2000
	L-5	April 2001		L-5	September 2001
	M-5	February 2002		M-6	April 2002
	M-6	March 2002		M-7	September 2002
	M-7	August 2002		N-6	March 2003
	N-5	December 2002		P-6	March 2004
	N-6	January 2003		Q-5	January 2005
	P-5	December 2003		R-5	December 2005
	P-6	March 2004		S-5	January 2007
	P-7	November 2004		S-6	March 2007
	Q-5	December 2004			
R-5	December 2005				
S-6	February 2007				

Auxiliary Code Breakdown

- K-5**
- Designates the year. "K" indicates the year 2000. Years progress or regress in alphabetical order. "J" is 1999, "L" is 2001, "M" is 2002, and so on. The letters "I" and "O" were skipped.
 - Designates significant part changes within the same year for this model. Base is 5 (0 for auxiliary codes H through K) and this number advances for each change.

Example: **P-6**

- "P" indicates 2004.
- "6" indicates the first significant part change for 2004.

Note About Ordering Parts

Most assemblies cannot be ordered as complete units; parts in the assemblies generally must be ordered separately.

Material Abbreviations

ALUMINUM

AL = Aluminum

COPPER

CU = Copper

PLASTIC

ABS = Acrylonitrile -butadiene - styrene
AC = Polyacetal
EVA = Ethylene vinyl acetate
PA = Polyamide = Nylon
PC = Polycarbonate
PE = Polyethylene
PES = Polyester
PETP = Polyethylene terephthalate = Tetlon
PP = Polypropylene
PS = Polystyrene
PTFE = Polytetrafluoroethylene = Teflon
PUR = Polyurethane
PVC = Polyvinyl chloride

RUBBER

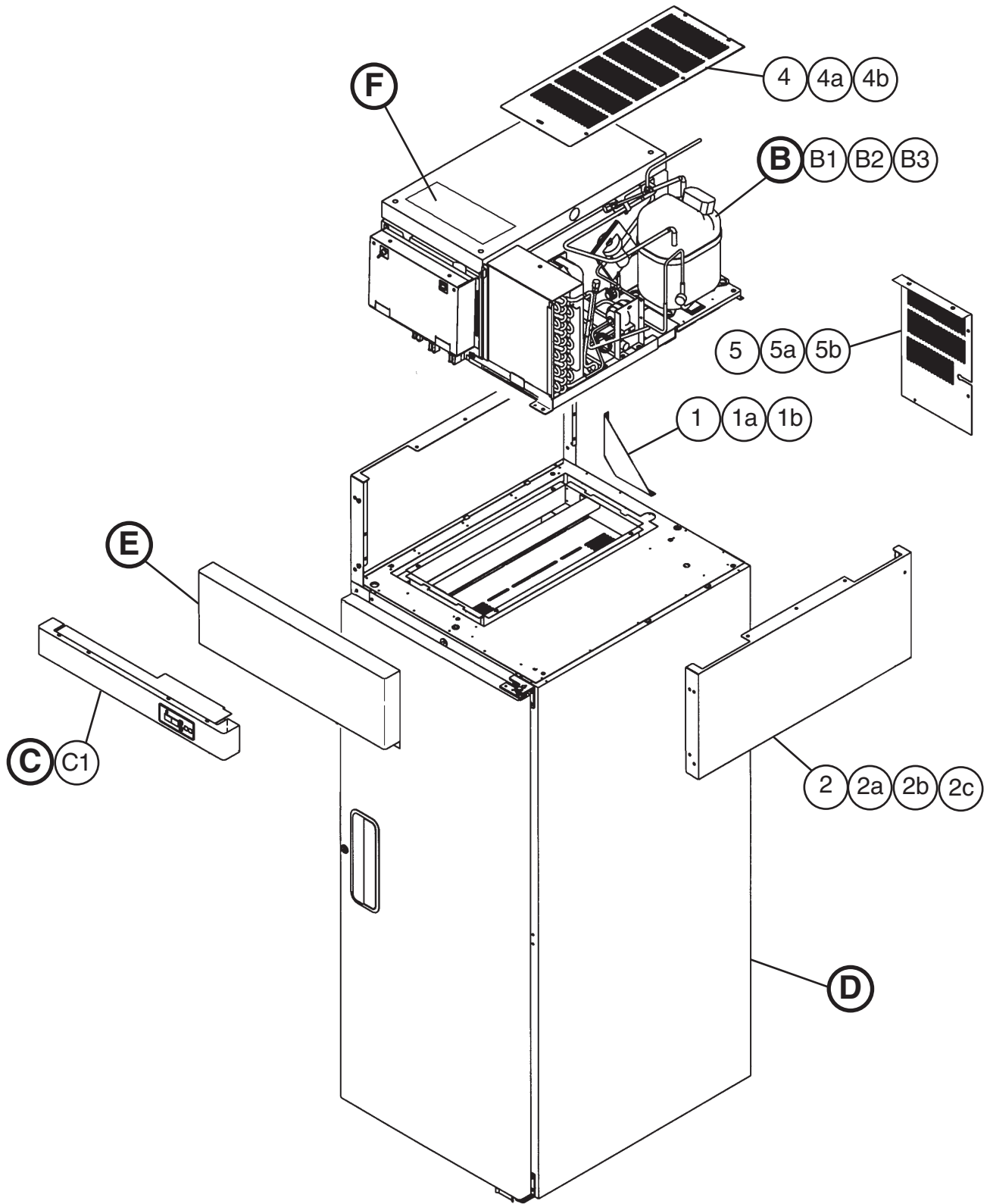
VN = Vinyl Nitrile
EPDM = EP rubber
NBR = Nitrile butadiene rubber
NR = Natural rubber
NP = Neoprene
SI.R = Silicone rubber
SY.R = Synthetic rubber
EPH = Epichlorohydrin

STEEL

GS = Galvanized steel
SS = Stainless steel
PS = Plated steel
PAS = Primed steel

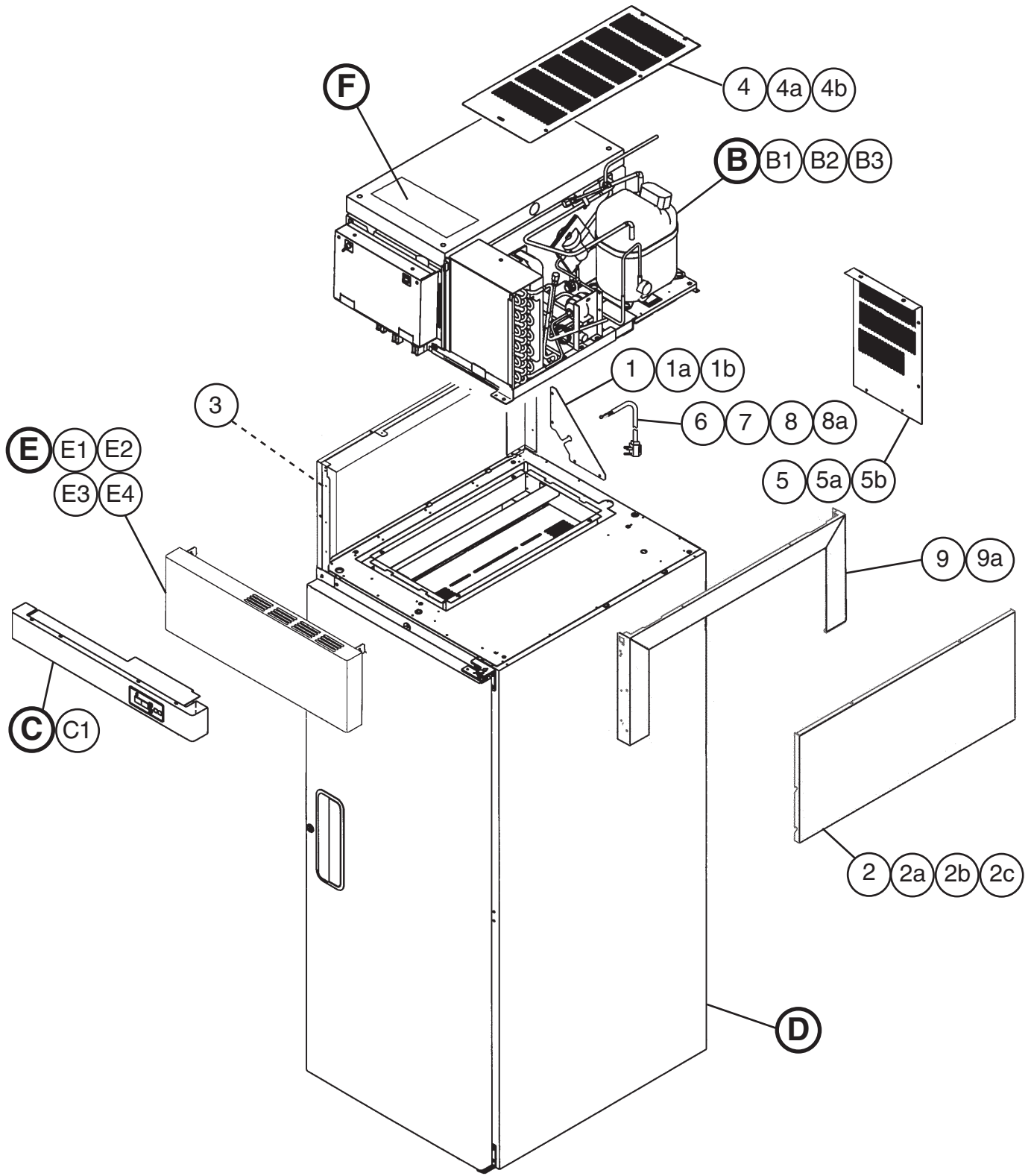
**A. Reach-In
FH1-SSB**

H-0, J-0, J-1, J-2, K-0, K-1



**A. Reach-In
FH1-SSB**

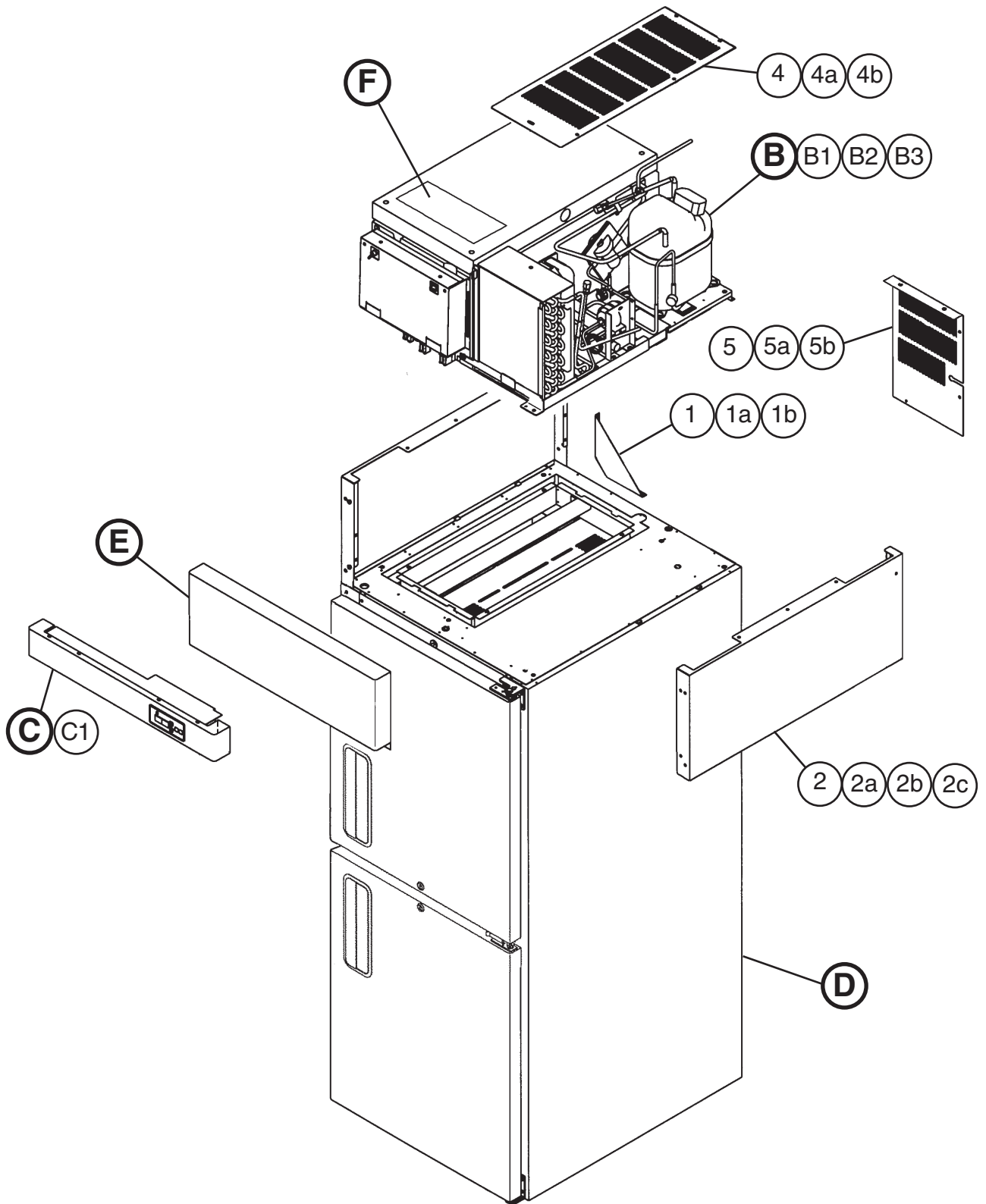
L-5, M-5, M-6, M-7, N-5, N-6, P-5, P-6, P-7, Q-5, R-5, S-6



Title: A. Reach-In Model: FH1-SSB												
Index No.	Description	Material or Model Number	Part Number	Required Number								
				H-0 to K-1	L-5 to M-6	M-7 to P-7	Q-5 R-5	S-6				
B	Refrigeration System	-	1A0278A01	1	1	1	1	1				
B1	Bolt Assembly	8x45	437889-01	5	5	5	5	5				
B2	Truss Head Screw	5x25, SS	7C32-0525	2	2	2	2	2				
B3	Washer	5	7W22-0500	2	2	2	2	2				
C	Control Panel Assembly	-	2A1269A01	1	1	1	1	1				
C1	T2 Screw	4x8, SS	7P32-0408	6	6	6	6	6				
D	Body-Final	-	1A0299A06	1	1	1	1	1				
E	Panel-Front	SS	1A0119-01	1	-							
	Panel-Front Hinged Assembly	-	2A2011A01		1	1	1	1				
E1	Clevis Pin	-	8907-0102		2	2	2	2				
E2	Cotter Pin	-	8907-0103		2	2	2	2				
E3	Flat Washer	-	4A0655-03		2	2	2	2				
E4	Spacer-Hinge	-	4A2473-01		2	2	2	2				
F	Label Location	-	2A1042A01	1	1	1	1	1				
1	Gusset-Side Top	GS	3A1006-01	1	-							
	Gusset-Frame		4A2845-01		1	1	-					
			4A3856-01				1	1				
1a	T2 Screw	4x8, SS	7P32-0408	2	4	4	4	4				
1b	Truss Head Screw	5x10, SS	7C32-0510	2	-							
2	Panel-Side, Top	SS	2A0615-02	2	-							
			2A1800-01		2	2	2	2				
2a	Taper Collar	SS	4H0171-01	4	4	4	4	4				
2b	Screw-Countersunk	5x20, SS	7C42-0520	4	4	4	4	4				
2c	Truss Head Screw	5x10, SS	7C32-0510	2	2	2	2	2				
3	Bracket-Hinge	-	4A2306-01		2	2	2	2				
4	Cover-UL, Top	GS	2A0955-01	1	1	-						
			2A2751-01			1	1	-				
			2A2755-01					1				
4a	Truss Head Screw	5x10, SS	7C32-0510	3	-							
4b	T2 Screw	4x8, SS	7P32-0408	2	5	5	5	5				
5	Cover-UL, Rear	GS	2A0956-01	1	1	-						
			2A2752-01			1	1	-				
			2A4261-01					1				
5a	Truss Head Screw	5x10, SS	7C32-0510	2	-							
5b	T2 Screw	4x8, SS	7P32-0408	2	4	4	4	4				
6	Power Cord	-	4A0520-01		1	1	1	1				
7	Bushing	SB-625-8	420470-01		1	1	1	1				
8	Wire Clamp	-	4A0809-02		1	1	1	1				
8a	T2 Screw	5x8, SS	7C32-0508		1	-						
9	Frame-Side Top	GS	2A1803-01		2	2	2	2				
9a	Truss Head Screw	5x10, SS	7C32-0510		8	8	8	8				

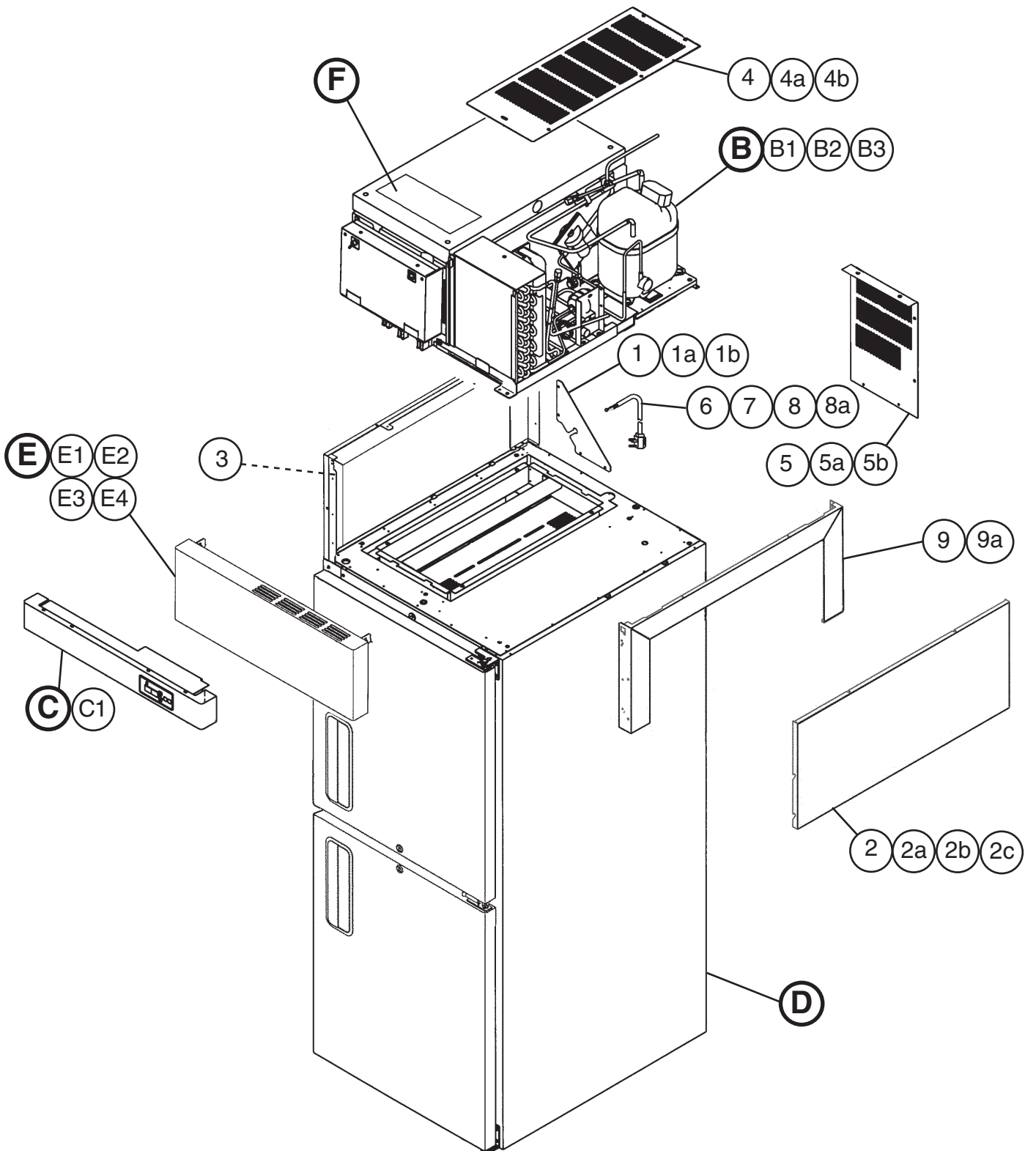
**A. Reach-In
FH1-SSB-HD**

H-0, J-0, J-1, J-2, K-0, K-1, L-5



**A. REACH-IN
FH1-SSB-HD**

M-6, M-7, N-6, P-6, Q-5, R-5, S-5, S-6



Title: **A. Reach-In** Model: **FH1-SSB-HD**

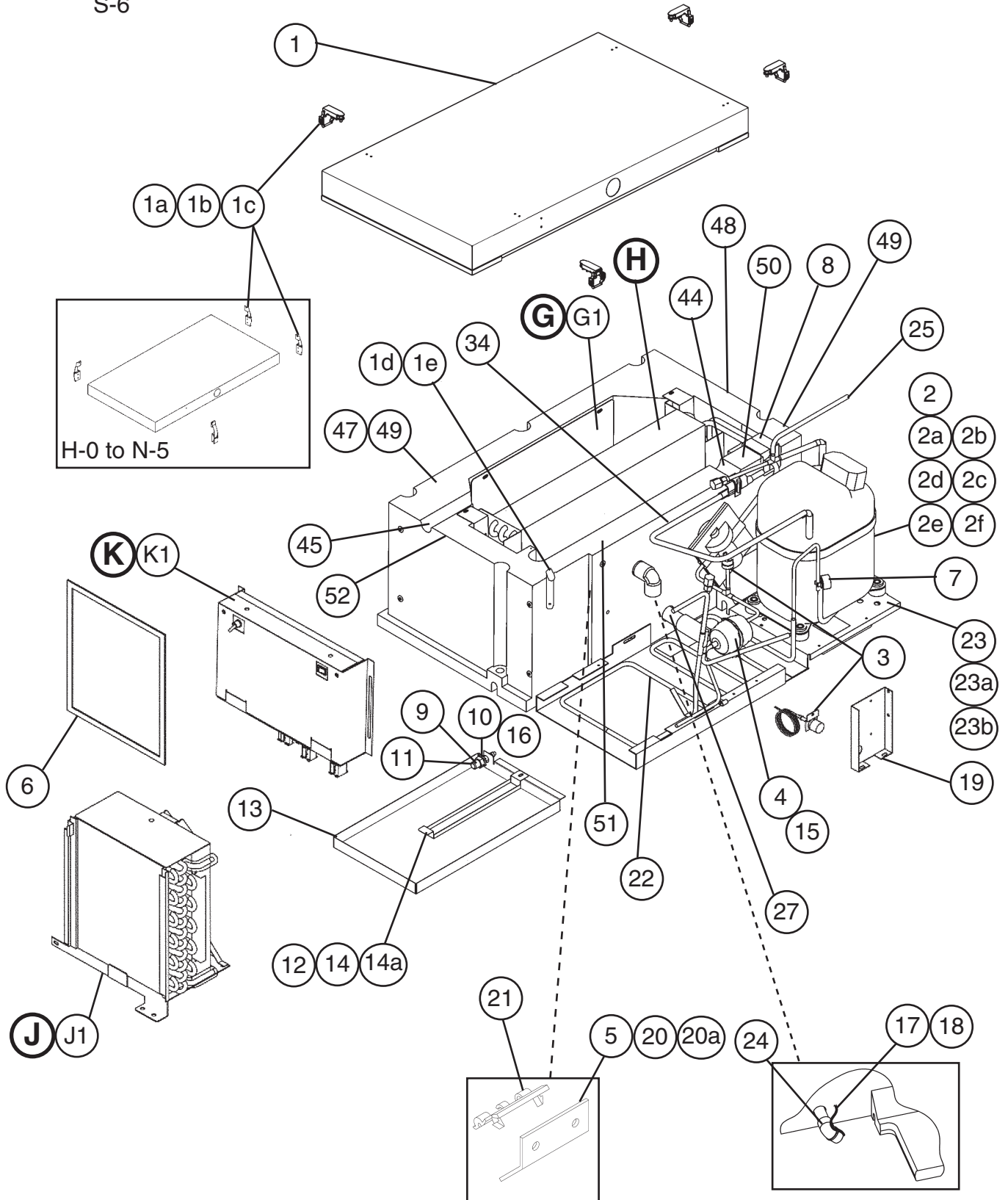
Index No.	Description	Material or Model Number	Part Number	Required Number									
				H-0 to K-1	L-5 M-6	M-7 to P-6	Q-5 to S-5	S-6					
B	Refrigeration System	-	1A0278A01	1	1	1	1	1					
B1	Bolt Assembly	8x45	437889-01	5	5	5	5	5					
B2	Truss Head Screw	5x25, SS	7C32-0525	2	2	2	2	2					
B3	Washer	5	7W22-0500	2	2	2	2	2					
C	Control Panel Assembly	-	2A1269A01	1	1	1	1	1					
C1	T2 Screw	4x8, SS	7P32-0408	6	6	6	6	6					
D	Body-Final	-	1A0360A04	1	1	1	1	1					
E	Panel-Front	SS	1A0119-01	1	-								
	Panel-Front Hinged Assembly		2A2011A01		1	1	1	1					
E1	Clevis Pin	-	8907-0102			2	2	2					
E2	Cotter Pin	-	8907-0103			2	2	2					
E3	Flat Washer	-	4A0655-03			2	2	2					
E4	Spacer-Hinge	-	4A2473-01		2	2	2	2					
F	Label Location	-	2A1042A04	1	1	1	1	1					
1	Gusset-Side Top	GS	3A1006-01	1	-								
	Gusset-Frame		4A2845-01		1	1	-						
			4A3856-01				1	1					
1a	T2 Screw	4x8, SS	7P32-0408	2	2	2	4	4					
1b	Truss Head Screw	5x10, SS	7C32-0510	2	2	2	-						
2	Panel-Side, Top	SS	2A0615-02	2	-								
			2A1800-01		2	2	2	2					
2a	Truss Head Screw	5x10, SS	7C32-0510		2	2	2	2					
2b	Taper Collar	SS	4H0171-01	4	2	2	2	2					
2c	Screw-Countersunk	5x20, SS	7C42-0520	4	2	2	2	2					
3	Bracket-Hinge	-	4A2306-01		2	2	2	2					
4	Cover-UL, top	GS	2A0955-01	1	1	-							
			2A2751-01			1	1	-					
			2A2755-01						1				
4a	Truss Head Screw	5x10, SS	7C32-0510	3	3	-							
4b	T2 Screw	4x8, SS	7P32-0408	2	2	5	5	5					
5	Cover-UL, Rear	GS	2A0956-01	1	1	-							
			2A2752-01			1	1	-					
			2A4261-01						1				
5a	Truss Head Screw	5x10, SS	7C32-0510	2	2	-							
5b	T2 Screw	4x8, SS	7P32-0408	2	2	4	4	4					
6	Power Cord	-	4A0520-01		1	1	1	1					
7	Bushing	SB-625-8	420470-01		1	1	1	1					
8	Wire Clamp	-	4A0809-02		1	1	1	1					
8a	T2 Screw	4x8, SS	7P32-0408		1	1	1	1					
9	Frame-Side Top	GS	2A1803-01		2	2	2	2					
9a	Truss Head Screw	5x10, SS	7C32-0510		8	8	8	8					

B. Refrigeration System

1/2

FH1-SSB(-HD)

H-0, J-0, J-1, J-2, K-0, K-1, L-5, M-5, M-6, M-7, N-5, N-6, P-5, P-6, P-7, Q-5, R-5, S-5, S-6

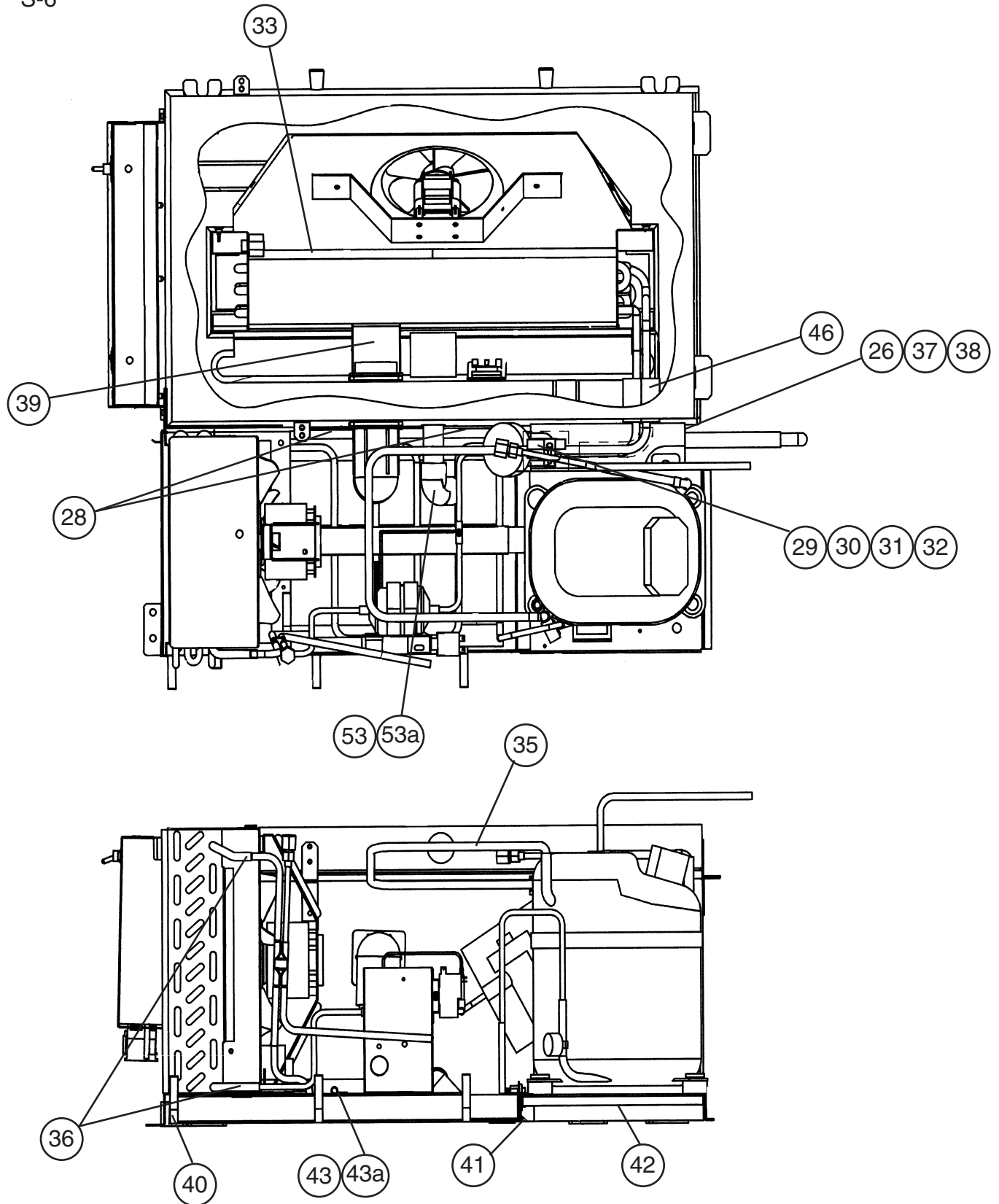


B. Refrigeration System

2/2

FH1-SSB(-HD)

H-0, J-0, J-1, J-2, K-0, K-1, L-5, M-5, M-6, M-7, N-5, N-6, P-5, P-6, P-7, Q-5, R-5, S-5, S-6



Title: **B. Refrigeration System** Model: **FH1-SSB(-HD)**

Index No.	Description	Material or Model Number	Part Number	Required Number															
				H-0	J-0 to M-5	M-6 to N-5	N-6 P-5	P-6 to S-5	S-6										
G	Evaporator Fan Shroud Assembly	-	HS-3545	1	1	-													
			2A2517A01			1	1	-											
			2A2517A02						1	1									
G1	Truss Head Screw	4x12, SS	7C32-0412	4	4	4	4	4	4	4									
H	Evaporator Assembly	-	2A0981A01	1	1	1	1	1	1	-									
			2A0981A06									1							
J	Condenser Assembly	-	3A0724A01	1	1	1	-												
			3A2610A01				1	1	-										
			3A2611A01									1							
J1	T2 Screw	4x8, SS	7P32-0408	2	2	2	2	2	2	2									
K	Control Box Assembly	-	2A1226A01	1	1	1	1	1	1	-									
			2A1226A03									1							
K1	Truss Head Screw	4x16, SS	7C32-0416	4	4	4	4	4	4	4									
1	Cover-Evaporator Case	-	2A0428G01	1	1	1	-												
			2A2726G01				1	1	1										
1a	Draw Latch	97-50-224-11	4A1710-01		4	4	-												
		-	4A3988-01				4	4	4										
1b	Truss Head Screw	4x16, SS	7C32-0416		4	4	4	4	4	4									
1c	T2 Screw	4x8, SS	7P32-0408		8	8	8	8	8	8									
1d	Catch-Latch	-	4A3987-01				4	4	4										
1e	Truss Head Screw	4x16, SS	7C32-0416				4	4	4										
2	Compressor	AJA2425ZXA	2A0937-01	1	1	1	1	1	1	-									
		SC15CLX.2	4A3815-01								1								
2a	Grommet-Compressor Mount	EPDM	4A1305-01	4	4	4	4	4	4	-									
			4A2593-01									4							
2b	Sleeve-Grommet	Tecumseh70459	4A0449-01	4	4	4	4	4	4	-									
	Spacer-Compressor	-	4A2595-01							4									
2c	Hex Bolt	8x45	7B01-0845	4	4	4	4	4	4	4									
2d	Washer-Flat	8	7W21-0800	4	4	4	4	4	4	4									
2e	Split Lock Washer	8	7L21-0800	4	4	4	4	4	4	4									
2f	Protector	CRA4765-132	4A1860-02	1	1	1	1	1	1	-									
		117U3212	4A3679-01								1								
3	Switch-Pressure (Included in 2A1257G01)	-	3A0335-02	1	1	-													
			4A2516-02			1	1	1	1										
4	Drier	Sporlan CW-052-S	4A0924-01	1	1	1	1	1	1	1									
5	Thermistor-Cabinet	Taiko 4A1429	4A1429-01	1	1	1	1	1	1	1									
6	Filter-Condenser	-	3A0277-01	1	1	1	1	1	1	1									
7	Thermostat-Clean Filter	37TJ32	4A0484-01	1	1	1	1	1	1	1									
8	Seal-Evaporator Tubing	Neoprene/EPDM	4A0642-01	2	2	2	-												
			4A3089-01				2	2	2										
9	Fitting-Drain Overflow (Included in 3A0381A05)	PP	4A0664-01	1	1	-													
			4A2182-01				1	1	1	1									
10	Washer-Drain Overflow (Included in 3A0381A05)	-	4A0665-01	1	1	-													
	Rubber Gasket (Included in 3A0381A05)		413854-03				1	1	1	1									

Title: **B. Refrigeration System** Model: **FH1-SSB(-HD)**

Index No.	Description	Material or Model Number	Part Number	Required Number																	
				H-0	J-0 to M-5	M-6 to N-5	N-6 P-5	P-6 to S-5	S-6												
11	Nut-Drain Fitting (Included in item 9: 4A2182-01)	Heyco 8463	4A0666-01	1	1	-															
12	Gasket-Condenser Coil (Included in 3A0381A05)	-	4A0455-03	1	1	1	1	1	1												
13	Evaporator Drain Pan (Included in 3A0381A05)	SS	2A0616-02	1	1	-															
			2A2760-01			1	1	1	1												
14	Strap-Condensate Coil (Included in 3A0381A05)	-	3A0232-03	1	1	1	1	1	1												
14a	Truss Head Screw (Included in 3A0381A05)	5x12, SS	7C32-0512	2	2	2	2	2	2												
15	Drier Bracket (Included in 2A1257G01)	GS	4A0806-01	1	1	1	1	1	1	-											
	Nylon Tie (Included in 2A1257G01)	-	8911-0301							1											
15a	T2 Screw	4x8, SS	7P32-0408	2	2	2	2	2	2	-											
16	Rubber Gasket (Included in 3A0381A05)	-	413854-03			1	1	1	1												
17	Heater-Drain	10758 10W 115V	4A2975-01					1	1												
18	Nylon Tie	CV-200	8911-0200					1	1												
19	Drier Mount (Included in 2A1257G01)	-	4A1480-01	1	1	1	1	1	1	-											
	Drier Bracket (Included in 2A1257G01)	GS	4A4282-01							1											
20	Thermistor Bracket (A)	ABS	433964-01	1	1	1	1	1	1	1											
20a	Truss Head Screw	4x16, SS	7C32-0416	2	2	2	2	2	2												
21	Thermistor Bracket (B)	ABS	433920-01	1	1	1	1	1	1	1											
22	Coil-Condensate Coated (Included in 2A1256G01)	-	4A1362G01	1	1	-															
	Coil-Condensate (Included in 2A1256G02)	-	3A1644-01			1	1	1	1												
23	Compressor Base	-	2A2756G01	1	1	1	1	1	1	1											
23a	Truss Head Screw	4x16, SS	7C32-0416	2	2	2	2	2	2												
23b	Truss Head Screw	5x10, SS	7C32-0510	1	1	1	1	1	1												
24	Pressure-Check Valve	HS-3515	3A1454A01	1	1	1	1	1	1												
25	Process Assembly Pipe	Access Valve	3A0932G01	1	1	1	1	-													
			3A2349G01					1	-												
			3A4455G01							1											
26	Vinyl Hose	L=300	773013812	1	1	1	1	1	1												
27	Drain-Pipe Evaporator	-	4A0831-01	1	1	1	1	1	1												
28	Wire Tie Twist	-	4A1223-01	1	1	1	1	1	1												
29	Insulation Tubing	L=150	7762-3555	1	1	1	1	1	1												
30	Cable Tie	CV-200	8911-0200	5	5	5	5	5	5												
31	Holder Expansion Valve	-	3A0107-01	1	1	1	1	1	1												
32	Hose Clamp	-	443461-01	1	1	1	1	1	1												
33	Liner-Evaporator	-	2A1182-01	1	1	-															
	Plated Heat-Shield	-	3A1851G01			1	-														
		-	3A2614G01				1	1	1												
34	Insulation Tubing	L=700	7762-1330	1	1	1	1	1	-												
		L=1200							1												

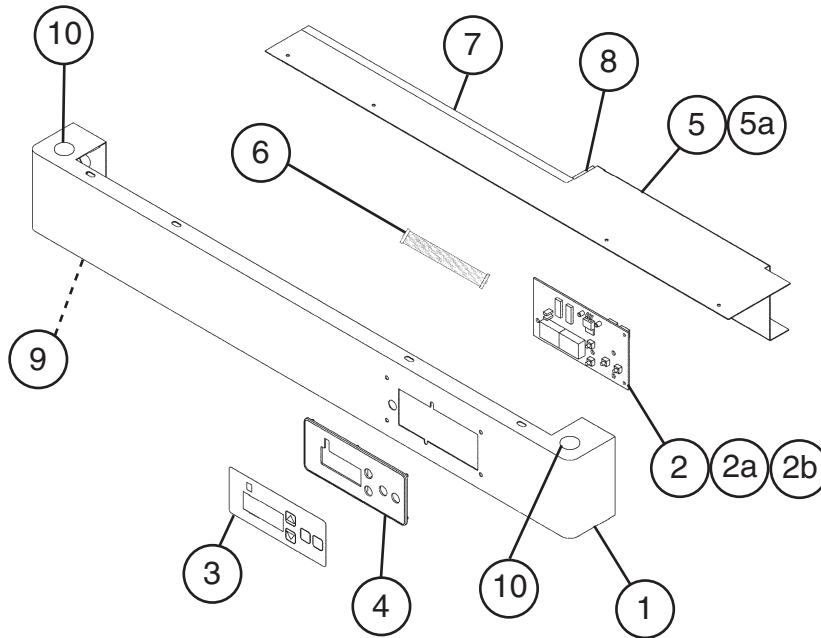
Title: **B. Refrigeration System** Model: **FH1-SSB(-HD)**

Index No.	Description	Material or Model Number	Part Number	Required Number									
				H-0	J-0 to M-5	M-6 to N-5	N-6 P-5	P-6 to S-5	S-6				
35	Suction Tube	-	3A0850-01	1	1	1	1	1	-				
			3A4312-01					1					
36	Insulation Tubing	L=50	7762-1020	2	3	3	3	3	3				
37	Bushing	SB-750-625	420470-13	1	1	1	1	1	1				
38	Elbow-Tubing	-	4A0711-01	1	1	1	1	1	1				
39	Drain Baffle	-	3A1126-01	1	-								
			3A1126-02		1	1	1	1	1				
40	Grommet Strip	L=33	4A1341L01	1	1	1	1	1	1				
41	Grommet Strip	L=29		1	1	1	1	1	1				
42	Grommet Strip	L=236		1	1	1	1	1	1				
43	Wire Clamp	-	4A0809-01		1	1	1	1	1				
43a	T2 Screw	4x8, SS	7P32-0408		1	1	1	1	1				
44	Insulation Tubing	L=85	7762-1030		1	1	1	1	1				
45	Insulation Tubing	L=145	7762-1323		1	1	1	1	1				
46	Cork Insulation Tape	L=40	8216-BK20		2	2	2	2	2				
47	Gasket	L=685	4A0808L01		1	1	1	1	1				
48	Gasket	L=316			1	1	1	1	1				
49	Gasket	L=46			2	2	2	2	2				
50	Gasket	L=58			1	1	1	1	1				
51	Gasket	L=500			1	1	1	1	1				
52	Gasket	L=236			1	1	1	1	1				
53	Elbow-Drilled	-	4A2510-01	1	1	-							
			4A2829G01			1	1	1	1				
53a	T2 Screw	4x8, SS	7P32-0408		1	1	1	1	1				

C. Control Panel Assembly

FH1-SSB(-HD)

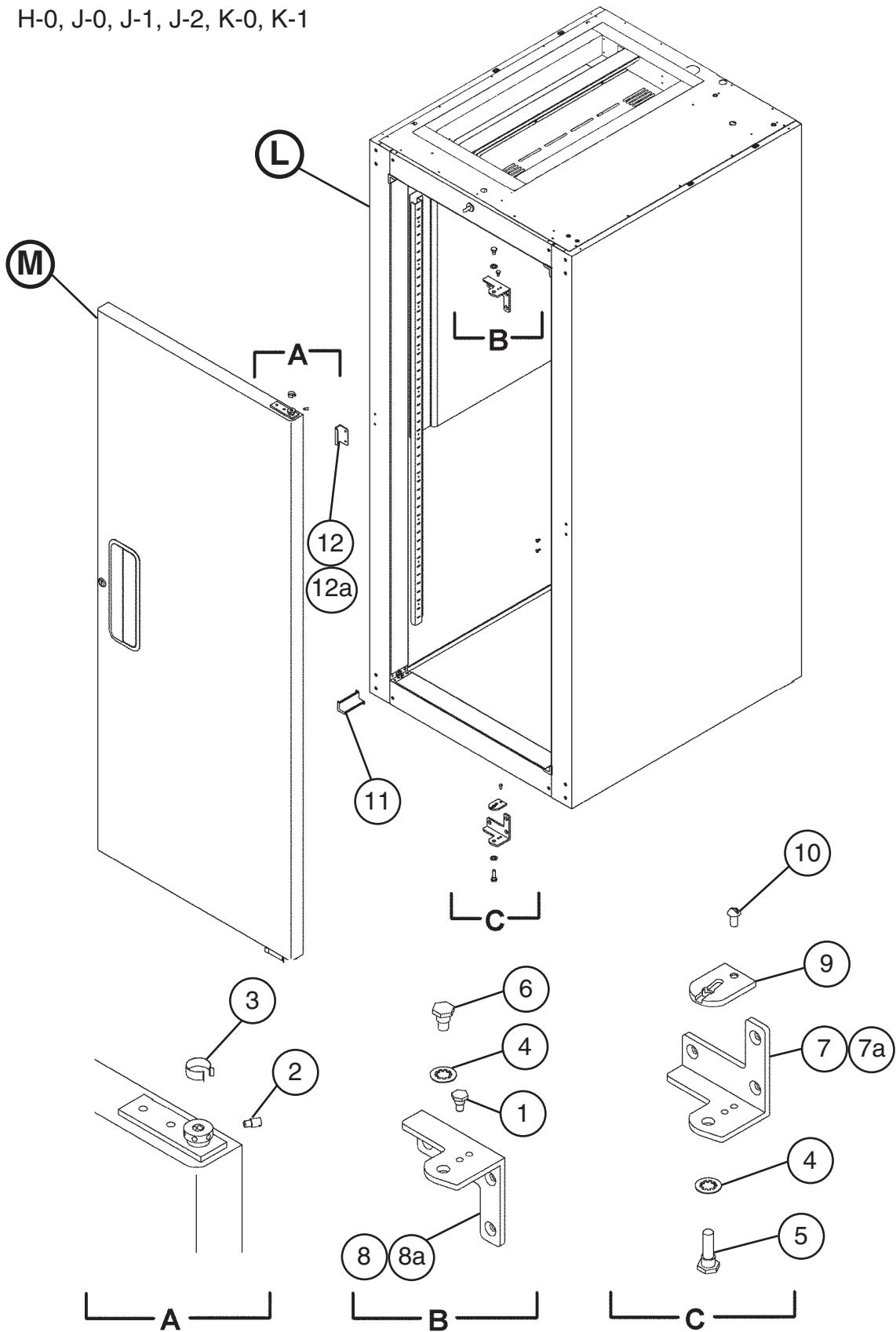
H-0, J-0, J-1, J-2, K-0, K-1, L-5, M-5, M-6, M-7, N-5, N-6, P-5, P-6, P-7, Q-5, R-5, S-5, S-6



Title: C. Control Panel Assembly Model: FH1-SSB(-HD)										
Index No.	Description	Material or Model Number	Part Number	Required Number						
				H-0 to K-1	L-5 to N-5	N-6 to S-6				
1	Panel-Control (Painted)	-	3A0914G01	1	-					
		-	1A0625G01		1	-				
	Panel-Control	-	1A0760-01			1				
2	Board-Display	-	2A0883-01	1	1	1				
2a	Nylon Screw	-	4A1397-01	4	4	4				
2b	Palnut	-	4A1398-01	6	6	6				
3	Label-Display	PC	4A1558-02	1	1	-				
			3A2850-02			1				
4	Mount-Display Board	PC	3A0823-01	1	1	1				
5	Cover-Wires	GS	2A1033-01	1	1	1				
5a	T2 Screw	4x8, SS	7P31-0408	2	2	2				
6	Ribbon Cable	-	4A1106-01	1	1	1				
7	Grommet Strip	L=342	4A1341L01	1	1	1				
8	Grommet Strip	L=30	4A1341L01	1	1	1				
9	Locking Hole Plug	-	4A0586-02	1	1	1				
10	Locking Hole Plug	-	4A0586-03	2	2	2				

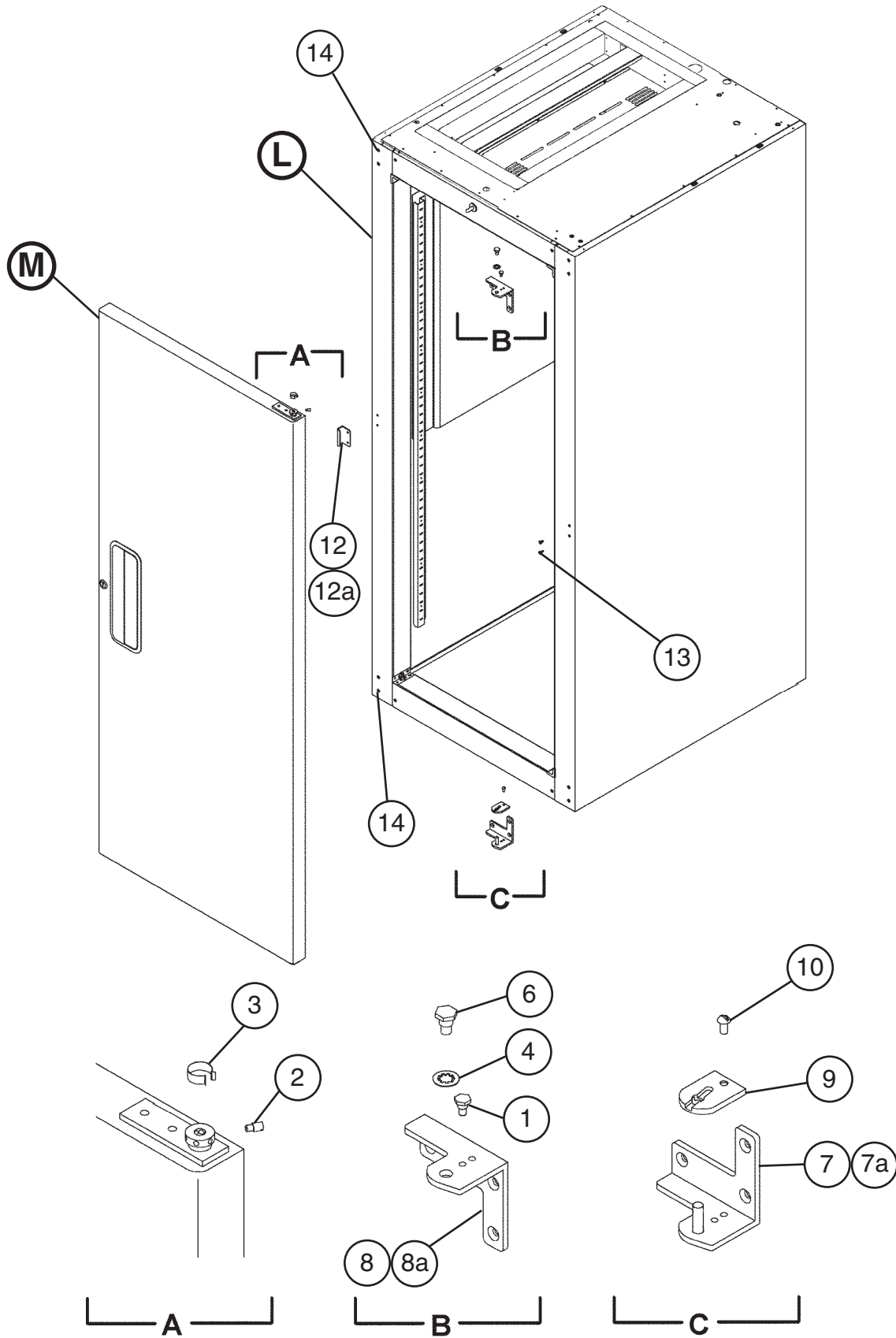
D. Body-Final FH1-SSB

H-0, J-0, J-1, J-2, K-0, K-1



D. Body-Final FH1-SSB

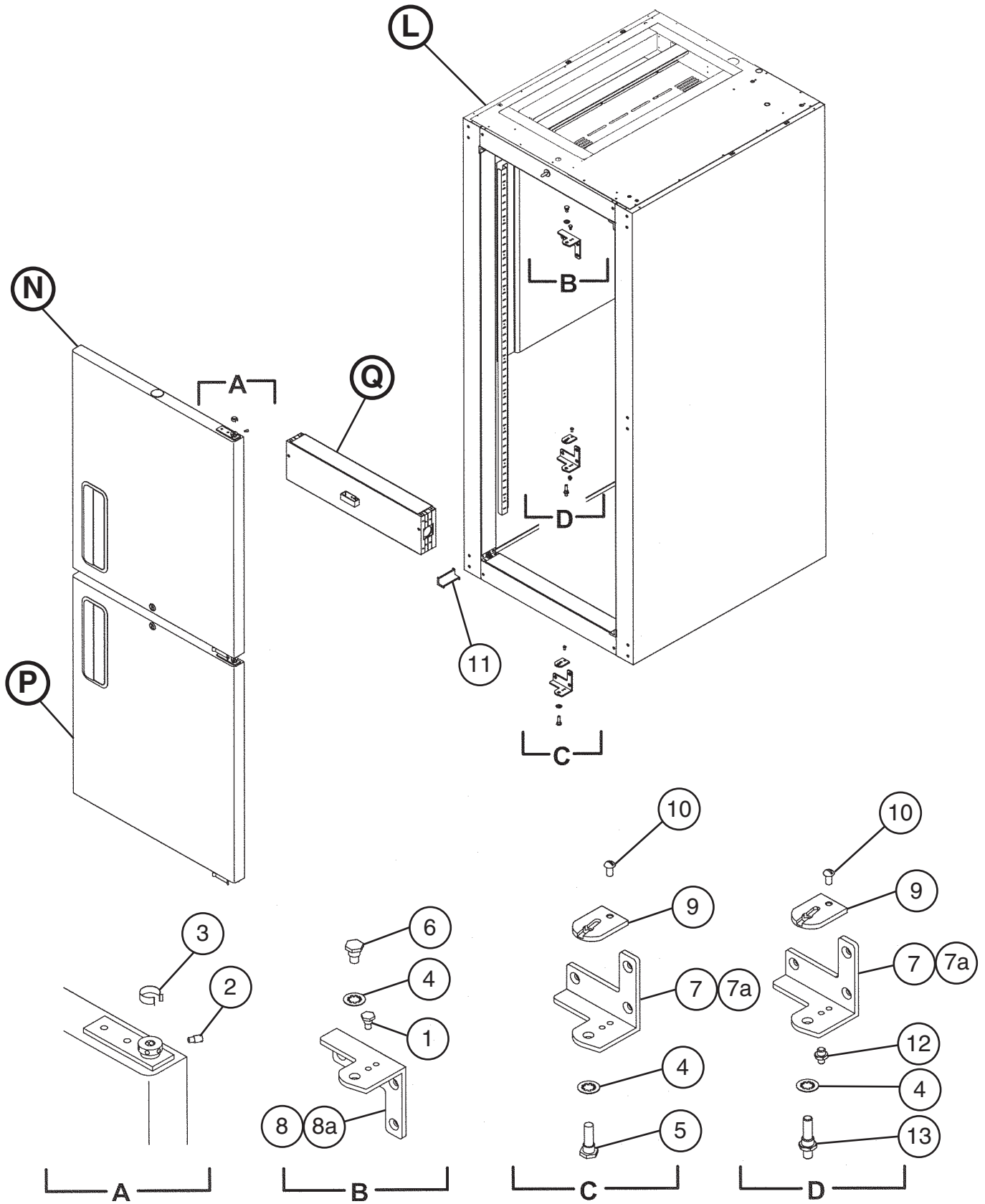
L-5, M-5, M-6, M-7, N-5, N-6, P-5, P-6, P-7, Q-5, R-5, S-6



Title: D. Body-Final Model: FH1-SSB												
Index No.	Description	Material or Model Number	Part Number	Required Number								
				H-0 to K-1	L-5	M-5	M-6 to S-6					
L	Body-Prefinal	-	1A0298A01	1	1	1	-					
			1A0298A05			1						
M	Door-Right	-	1A0318A01	1	1	1	-					
			1A0318A03			1						
1	Hinge Stop Pin	-	4A0444-01	1	-							
			4A2180-01		1	1	1					
2	Hinge Tension Screw	-	4A0446-01	1	1	1	1					
3	Hinge Bushing Cover	-	4A0445-01	1	1	1	1					
4	Hinge Lock Washer	-	4A0553-01	2	1	1	1					
5	Hinge Pivot Pin (BTM)	-	4A0443-01	1	-							
6	Hinge Pivot Pin (Top)	-	4A0442-01	1	-							
			4A2179-01		1	1	1					
7	Bracket Door Hinge (UL,LR)	Use latest for all aux. codes	3A0209-01	1	-							
	Bracket Door Hinge (LR)		3A1626-01		1	1	1					
7a	Countersunk Screw (Included in 1A0172G05)	5x20, SS	7C42-0520	3	3	3	3					
8	Bracket Door Hinge (LL,UR)	-	3A0215-01	1	-							
	Bracket Door Hinge (UR)		3A1580-01		1	1	1					
8a	Countersunk Screw (Included in 1A0172G05)	5x20, SS	7C42-0520	3	3	3	3					
9	Hinge Stop Plate (Right)	-	4A0441-01	1	1	1	1					
10	Screw-Stop Plate	-	4A0483-01	1	1	1	1					
11	Cover-Corner	-	3A0221-01	4	-							
12	Plate-Strike (Side)	-	4A0470-01	1	1	1	1					
12a	T2 Screw	4x8, SS	7P32-0408	2	2	2	2					
13	Filler T2 Screw	4x8, SS	7P32-0408	2	2	2	2					
14	Filler Truss Head Screw	5x10, SS	7C32-0510	6	6	6	6					

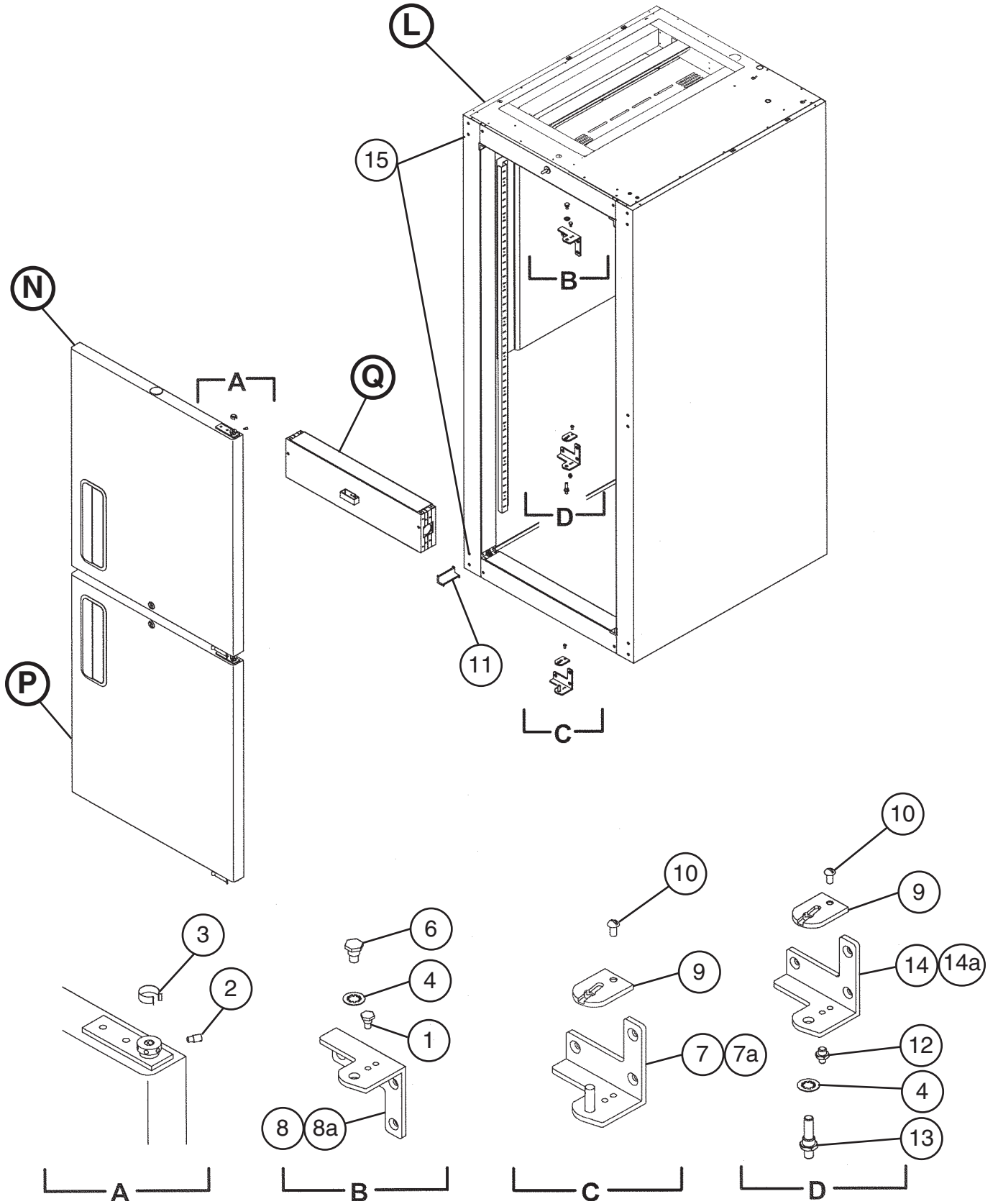
D. Body-Final
FH1-SSB-HD

H-0, J-0, J-1, J-2, K-0, K-1



D. Body-Final FH1-SSB-HD

L-5, M-6, M-7, N-6, P-6, Q-5, R-5, S-5, S-6

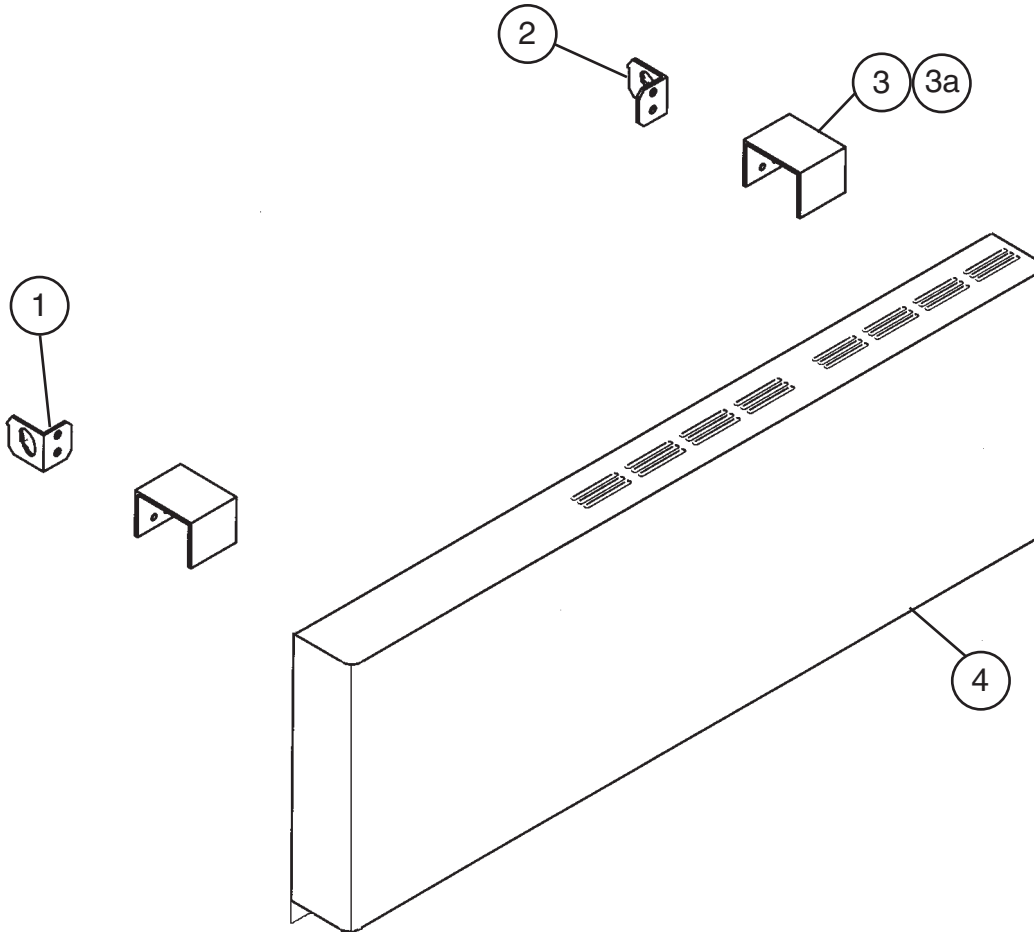


Title: **D. Body-Final** Model: **FH1-SSB-HD**

Index No.	Description	Material or Model Number	Part Number	Required Number									
				H-0 to K-1	L-5 to S-6								
L	Body-Prefinal	-	1A0354A01	1	-								
			1A0354A04		1								
N	Door-Half (UR)	-	1A0326A01	1	-								
			1A0326A03		1								
P	Door-Half (LR)	-	1A0324A01	1	-								
			1A0324A03		1								
Q	Mullion-Horizontal	Non-Heated	2A1323A01	1	-								
		Heated	2A1323A04		1								
1	Hinge Stop Pin	-	4A0444-01	1	-								
			4A2180-01		1								
2	Hinge Tension Screw	-	4A0446-01	2	2								
3	Hinge Bushing Cover	-	4A0445-01	2	2								
4	Hinge Lock Washer	-	4A0553-01	3	2								
5	Hinge Pivot Pin (BTM)	-	4A0443-01	1	-								
6	Hinge Pivot Pin (Top)	-	4A0442-01	1	-								
			4A2179-01		1								
7	Bracket Door Hinge (UL,LR)	Use latest for all aux. codes	3A0209-01	2	-								
	Bracket Door Hinge (LR)		3A1626-01		1								
7a	Countersunk Screw (Included in 1A0363G04)	5x20, SS	7C42-0520	6	3								
8	Bracket Door Hinge (LL,UR)	-	3A0215-01	1	-								
	Bracket Door Hinge (UR)		3A1580-01		1								
8a	Countersunk Screw (Included in 1A0363G04)	5x20, SS	7C42-0520	3	3								
9	Hinge Stop Plate (R)	-	4A0441-01	2	2								
10	Screw-Stop Plate	-	4A0483-01	2	2								
11	Cover-Corner	-	3A0221-01	8	-								
			3A1751-01		8								
12	Stop Pin	-	4A1734-01	1	1								
13	Pivot Pin	-	4A1735-01	1	1								
14	Bracket Door Hinge (UL)	-	3A1581-01		1								
14a	Countersunk Screw (Included in 1A0363G04)	5x20, SS	7C42-0520		3								
15	Filler Truss Head Screw	5x10, SS	7C32-0510	9	9								

E. Panel-Front Hinged Assembly FH1-SSB(-HD)

L-5, M-5, M-6, M-7, N-5, N-6, P-5, P-6, P-7, Q-5, R-5, S-5, S-6

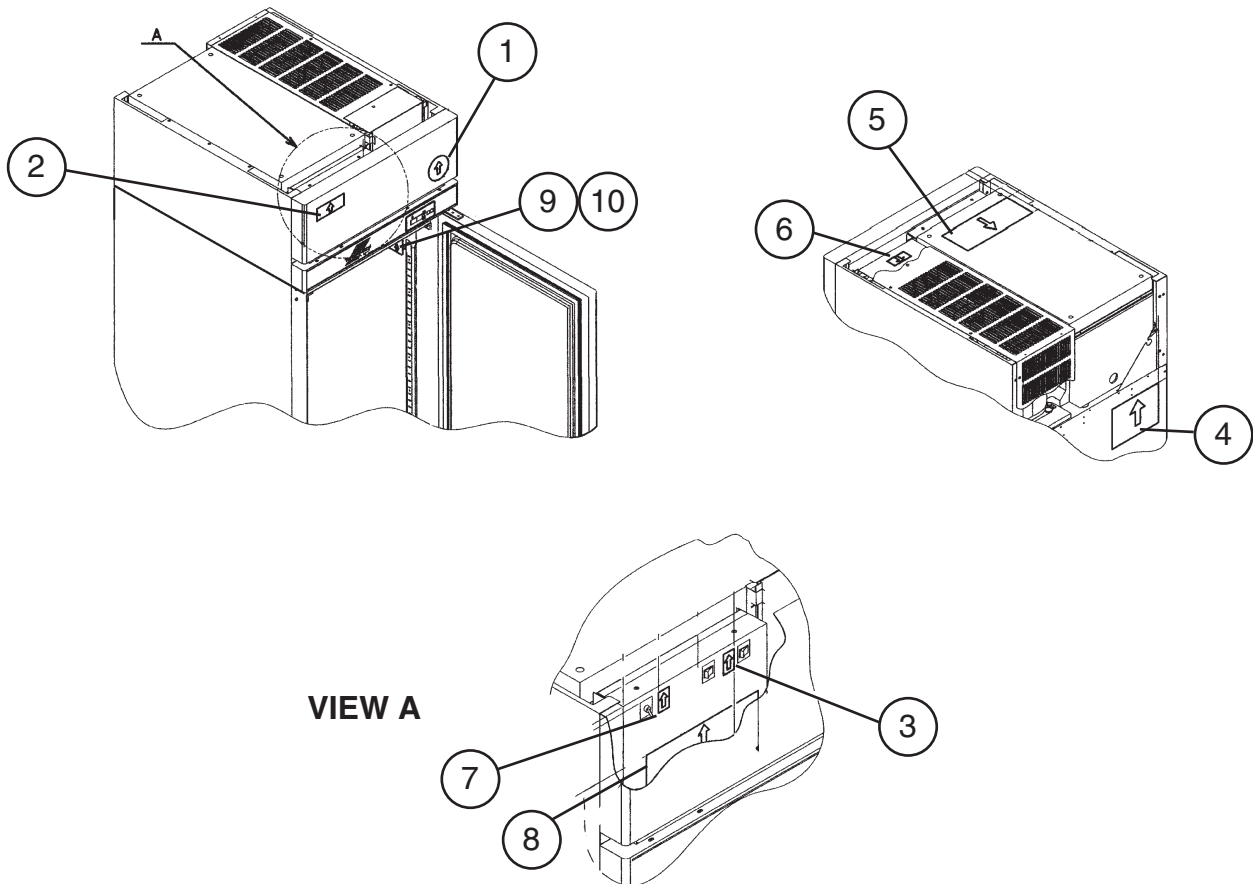


Title: E. Panel-Front Hinged Assembly Model: FH1-SSB(-HD)										
Index No.	Description	Material or Model Number	Part Number	Required Number						
				L-5 to S-6						
1	Hinge-Front Panel (L)	GS	4A2153-01	1						
2	Hinge-Front Panel (R)	GS	4A2154-01	1						
3	Channel-Hinge	GS	4A2170-01	2						
3a	Truss Head Screw	5x8, SS	7C32-0508	4						
4	Panel-Front	SS	1A0624-01	1						

F. Label Location

FH1-SSB(-HD)

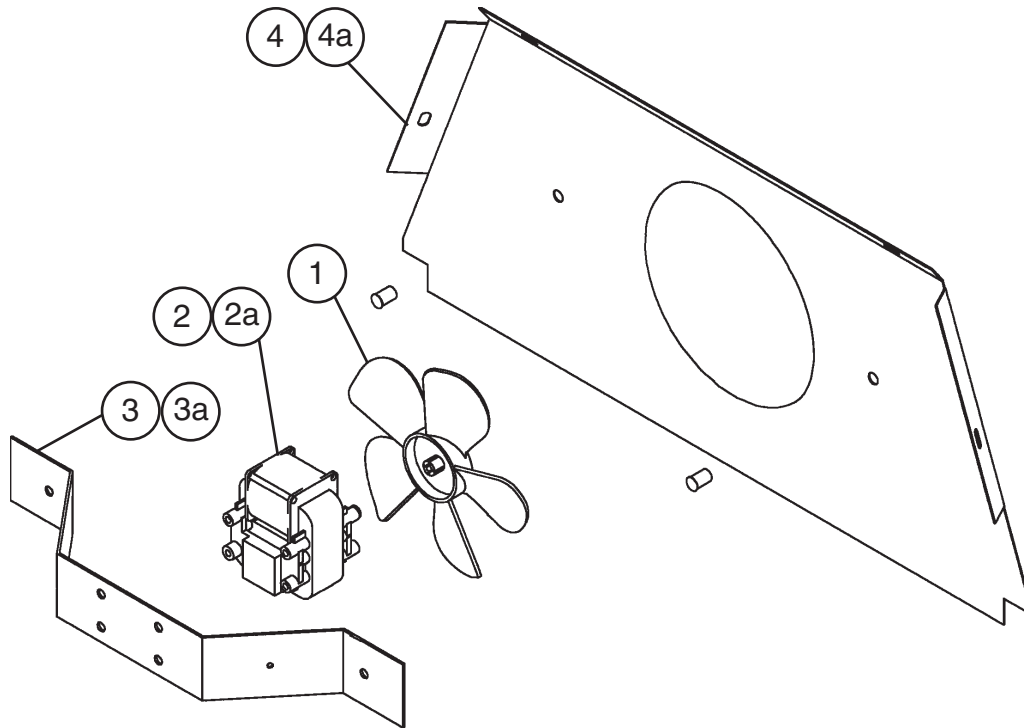
H-0, J-0, J-1, J-2, K-0, K-1, L-5, M-5, M-6, M-7, N-5, N-6, P-5, P-6, P-7, Q-5, R-5, S-5, S-6



Title: F. Label Location Model: FH1-SSB(-HD)				Required Number							
Index No.	Description	Material or Model Number	Part Number	H-0 to N-5	N-6 to R-5	S-5 to S-6					
				1	Label-Penguin-HA(L)	-	4A0526-02	1	1	1	
2	Emblem-Hoshizaki	-	4A0560-01	1	1	1					
3	Label-Door Heater Switch	PVC FILM	4A1039-01	1	1	1					
4	Caution Label	PVC FILM	4A1931-01	1	1	1					
5	Wiring Diagram	PVC FILM	2A2341-01	1	1	-					
			2A4241-01			1					
6	Label-R404A	-	4A0960-01	1	1	1					
7	Label-ON/OFF	-	4A0522-01	1	1	1					
8	Label-Display Info	-	3A1413-01	1	1	1					
9	Cover-Nameplate	-	4A3727-01		1	1					
10	Nameplate	FH1-SSB	4A1040-01	1	-						
		FH1-SSB	1A0763-18	1	1	1					
		FH1-SSB-HD	4A1752-01	1	-						
		FH1-SSB-HD	1A0763-19	1	1	1					

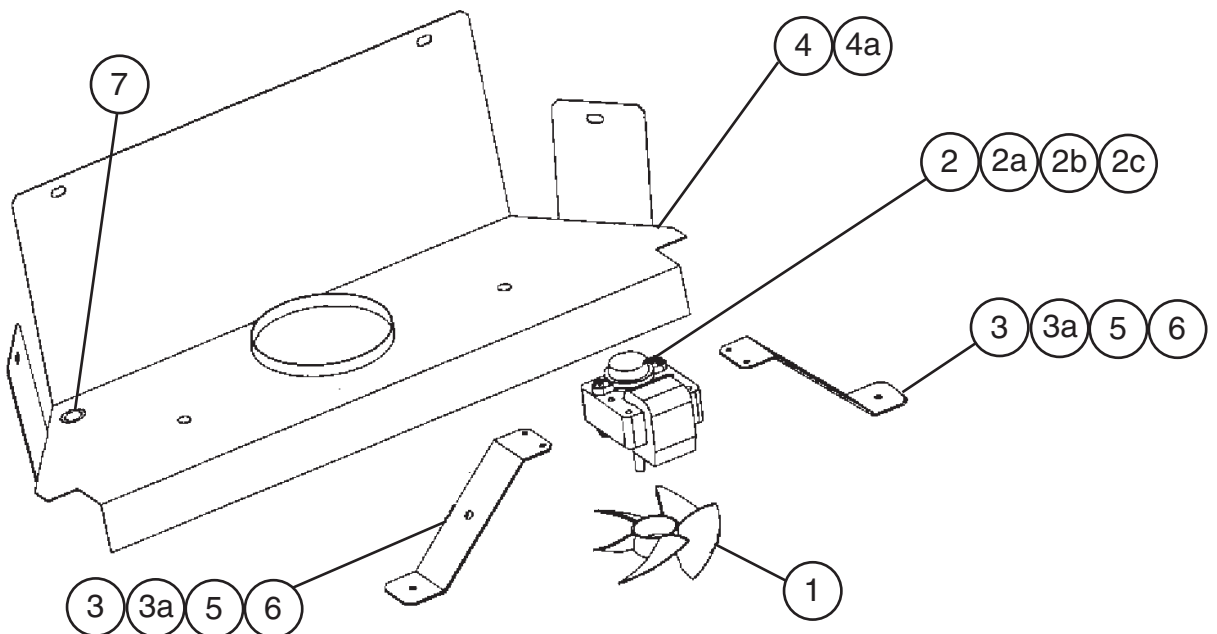
G. Evaporator Fan Shroud Assembly FH1-SSB(-HD)

H-0, J-0, J-1, J-2, K-0, K-1, L-5, M-5



G. Evaporator Fan Shroud Assembly FH1-SSB(-HD)

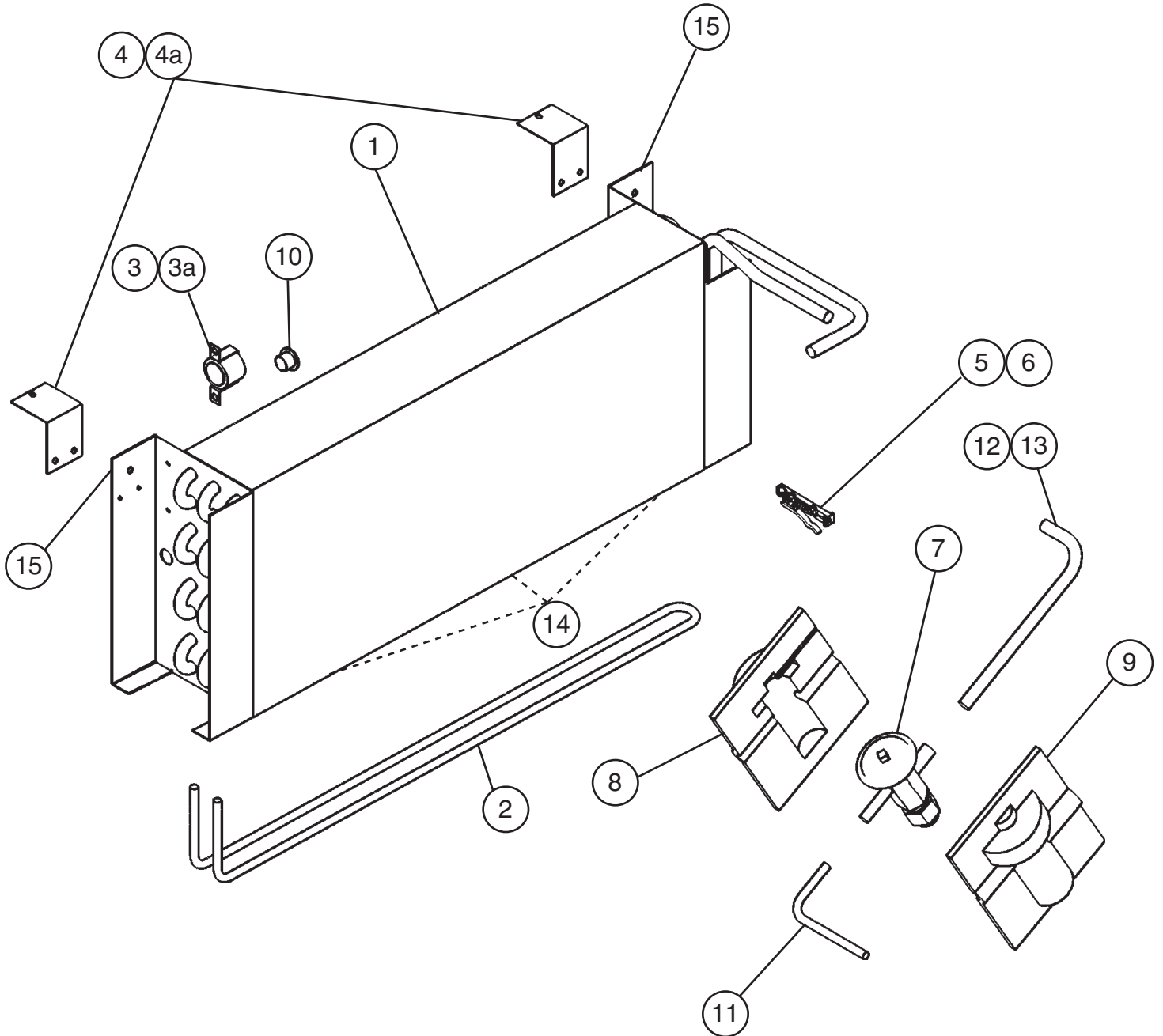
M-6, M-7, N-5, N-6, P-5, P-6, P-7, Q-5, R-5, S-5, S-6



Title: G. Evaporator Fan Shroud Assembly Model: FH1-SSB(-HD)																				
Index No.	Description	Material or Model Number	Part Number	Required Number																
				H-0 to M-5	M-6 to P-5	P-6 to S-6														
1	Evaporator Fan Blade	THORGREN 5562C3125L1	4A1131-01	Note: Parts are not interchangeable. For auxiliary codes prior to M-6, order HS-3545 and replace the entire assembly. For auxiliary codes M-6 and later, order the appropriate part from this chart.	-															
		-	4A2802-01		1	1														
2	Evaporator Fan Motor	JAKEL J238-100-10070	4A1132-01		-															
		-	4A2563-01		1	1														
2a	Pan Head Screw	8, 32x½, SS	7C12I0812		-															
	Truss Head Screw	4x40, SS	7C32-0440		4	4														
2b	Split Lock Washer	M4, SS	7L22-0400		4	4														
2c	Hex Nut	M4, SS	7N12-0400		4	4														
3	Fan Motor Bracket	SS	3A0863-01		-															
		-	3A2480-01		2	2														
3a	Truss Head Screw	5x12, SS	7C32-0512		2	2														
4	Evaporator Fan Shroud	SS	2A0846-01		-															
		-	2A2565G01		1	-														
		-	2A2565G02			1														
4a	Truss Head Screw	4x16, SS	7C32-0416		4	4														
5	Lock-Washer	-	4A0459-01		2	2														
6	Wire Tie (Twist)	-	4A1223-01		2	2														
7	Bushing	SB-625-8	420470-01		1	1														

H. Evaporator Assembly FH1-SSB(-HD)

H-0, J-0, J-1, J-2, K-0, K-1, L-5, M-5, M-6, M-7, N-5, N-6, P-5, P-6, P-7, Q-5, R-5, S-5,
S-6

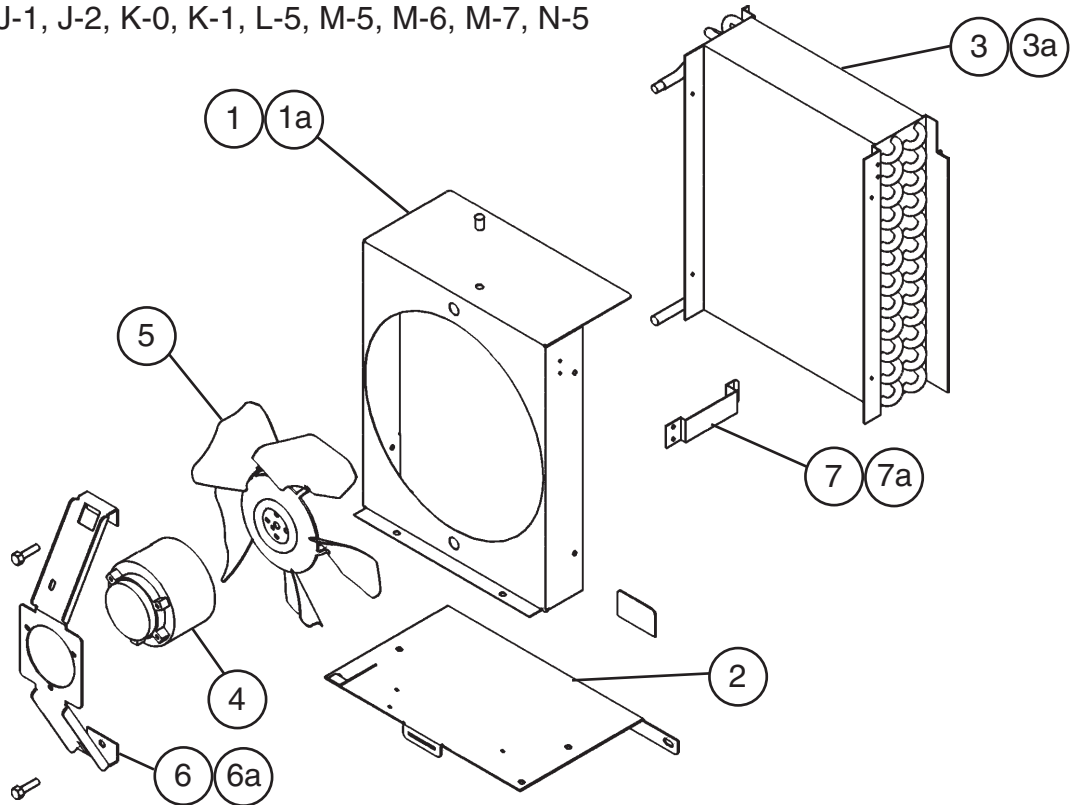


Title: **H. Evaporator Assembly** Model: **FH1-SSB(-HD)**

Index No.	Description	Material or Model Number	Part Number	Required Number									
				H-0 to K-1	L-5 M-5	M-6 to R-5	S-5 S-6						
1	Evaporator	Heatcraft	2A0781-01	1	1	1	1						
2	Heater-Defrost	-	3A0846-01	1	1	1	1						
3	Thermostat-Defrost	Therm-O-Disc	4A0954-01	1	-								
		Therm-O-Disc	4A0954-02		1	1	1						
3a	T2 Screw	4x8, SS	7P32-0408	2	2	2	2						
4	Bracket-Evaporator	SS	4A1588-01	2	2	-							
			4A2542-01			2	2						
4a	T2 Screw	4x8, SS	7P32-0408	4	4	4	4						
5	Thermistor-Clip	-	320418-01	1	1	1	1						
6	Thermistor-Defrost	Taiko	4A1428-01	1	1	1	1						
7	Expansion Valve	-	4A1135-01	1	1	1	-						
			4A4196-01				1						
8	Expansion Valve Cover (A)	PE	3A0372-01	1	1	1	1						
9	Expansion Valve Cover (B)	PE	3A0372-02	1	1	1	1						
10	Bushing	OCB-500	428394-02	1	1	1	1						
11	Tube-Liquid	-	4A1332-01	1	1	1	1						
12	Tube-Evaporator Inlet	-	4A1292-01	1	1	1	1						
13	Insulation Tubing	L=655	7762-1030	1	1	1	1						
14	Support-Heater Defrost	-	4A2506-01	3	3	3	3						
15	Gasket-PVC	L=206	4A0414L03	2	2	2	2						

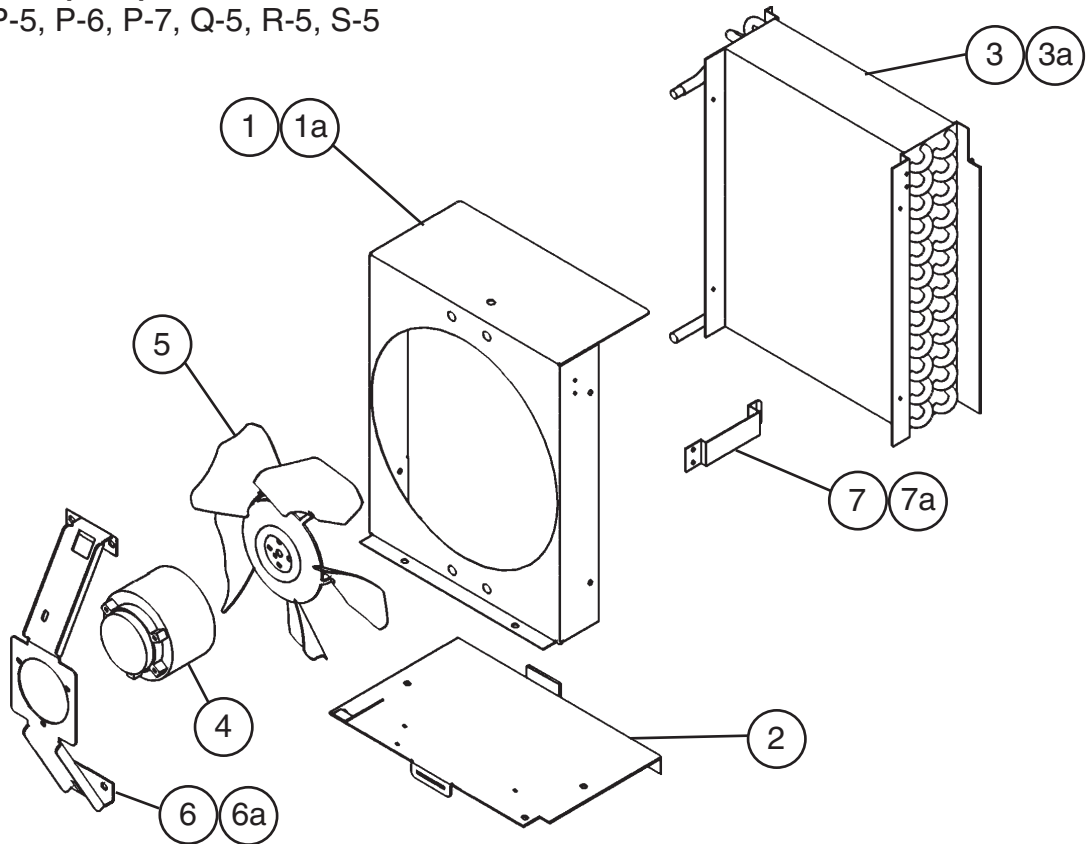
J. Condenser Assembly FH1-SSB(-HD)

H-0, J-0, J-1, J-2, K-0, K-1, L-5, M-5, M-6, M-7, N-5

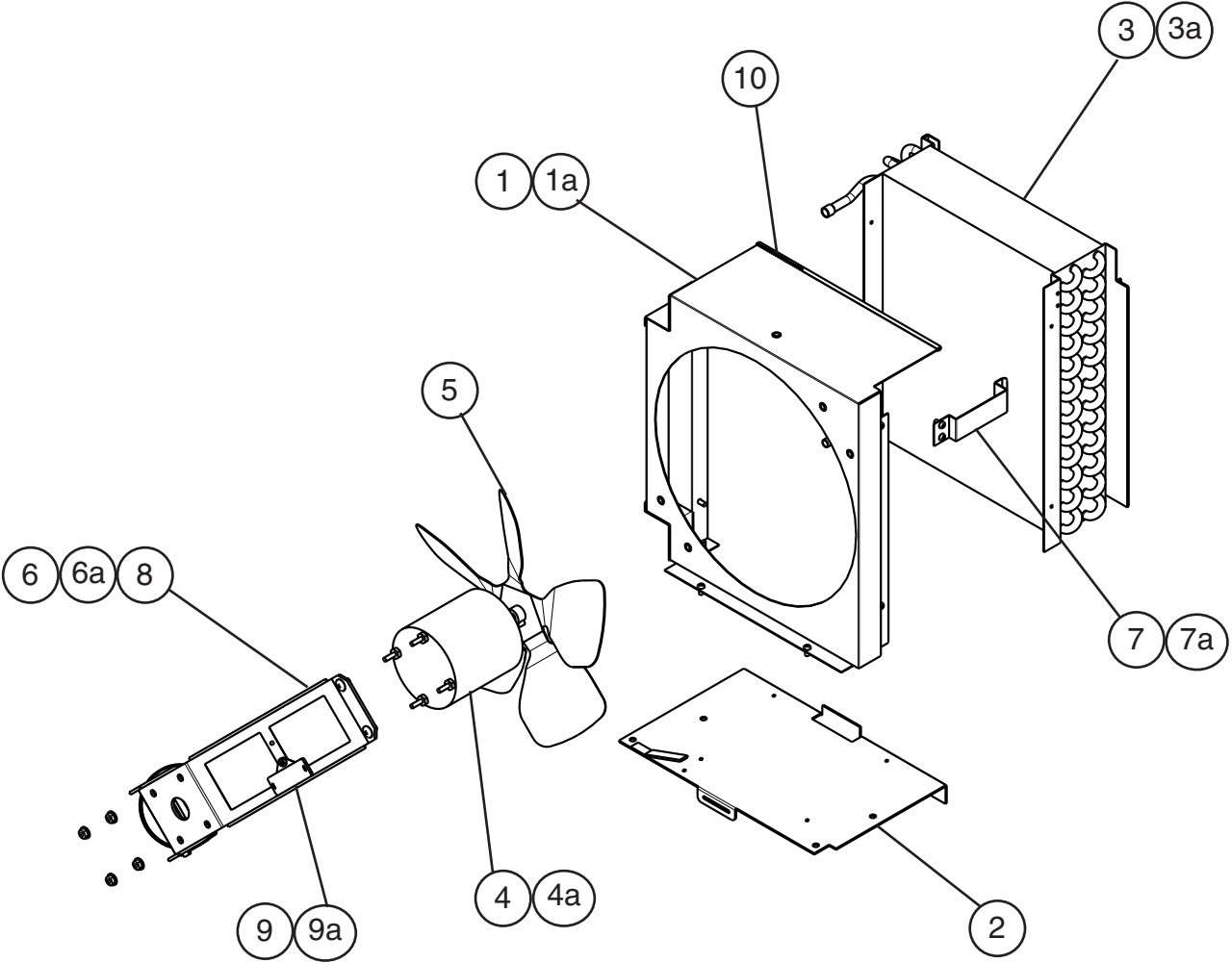


J. Condenser Assembly FH1-SSB(-HD)

N-6, P-5, P-6, P-7, Q-5, R-5, S-5



J. Condenser Assembly
FH1-SSB(-HD)
S-6

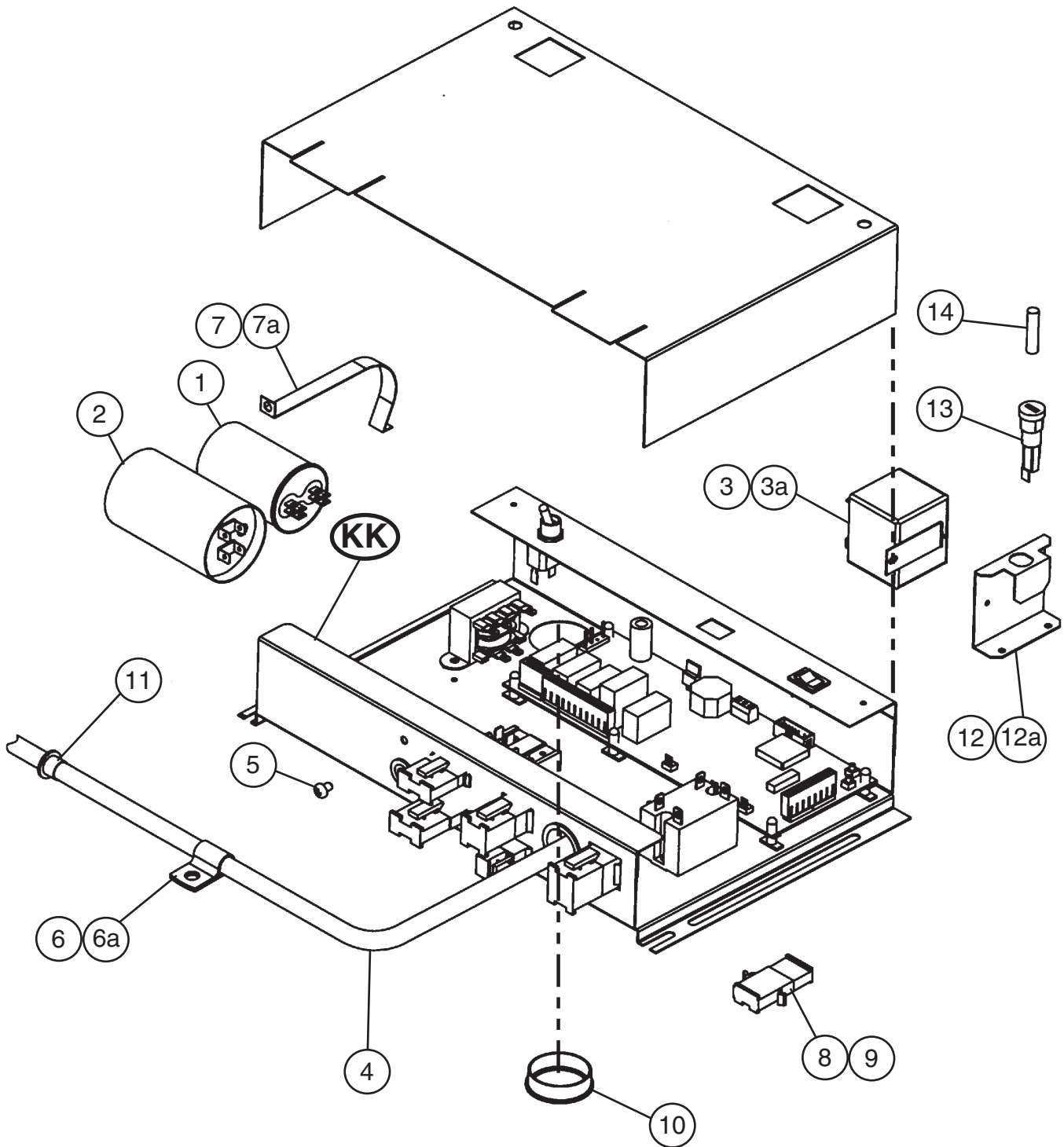


Title: J. Condenser Assembly Model: FH1-SSB(-HD)												
Index No.	Description	Material or Model Number	Part Number	Required Number								
				H-0 J-0	J-1 to N-5	N-6 to S-5	S-6					
1	Shroud Condenser	GS	2A0620-02	1	-							
			2A1685-02		1	-						
			2A2722-02			1	-					
			2A2723-01					1				
1a	T2 Screw	4x8, SS	7P32-0408	4	4	4	4					
2	Base-Condenser	GS	2A1027G01	1	-							
			2A2724G01		1	1	1					
3	Condenser	-	2A0782-01	1	1	1	1					
3a	T2 Screw	4x8, SS	7P32-0408	4	4	4	4					
4	Fan Motor	16W	4A0815-01	1	1	1	-					
		-	4A3158-01				1					
4a	Self Locking Nut	8x32	7N2110832				4					
5	Condenser Fan Blade	Air Drive	3A0608-01	1	1	1	-					
			4A1865-01				1					
6	Condenser Fan Motor Bracket	GS	3A0457-01	1	1	-						
			3A1564-01			1	-					
			3A2352-01				1					
6a	Hex Bolt	6x25	7B01-0625	2	2	-						
	Truss Head Screw	5x12, SS	7C32-0512			4	-					
	Truss Head Screw	5x10, SS	7C32-0510				4					
7	Retainer-Filter	GS	4A0790-01	1	1	1	1					
7a	T2 Screw	4x8, SS	7P32-0408	2	2	2	2					
8	Cable Tie	CV-200	8911-0200				2					
9	Capacitor	5MFD, 250V	443192-02				1					
9a	T2 Screw	4x8, SS	7P32-0408				2					
10	Grommet Strip	L=242	4A1341L01				1					

K. Control Box Assembly

FH1-SSB(-HD)

H-0, J-0, J-1, J-2, K-0, K-1, L-5, M-5, M-6, M-7, N-5, N-6, P-5, P-6, P-7, Q-5, R-5, S-5, S-6

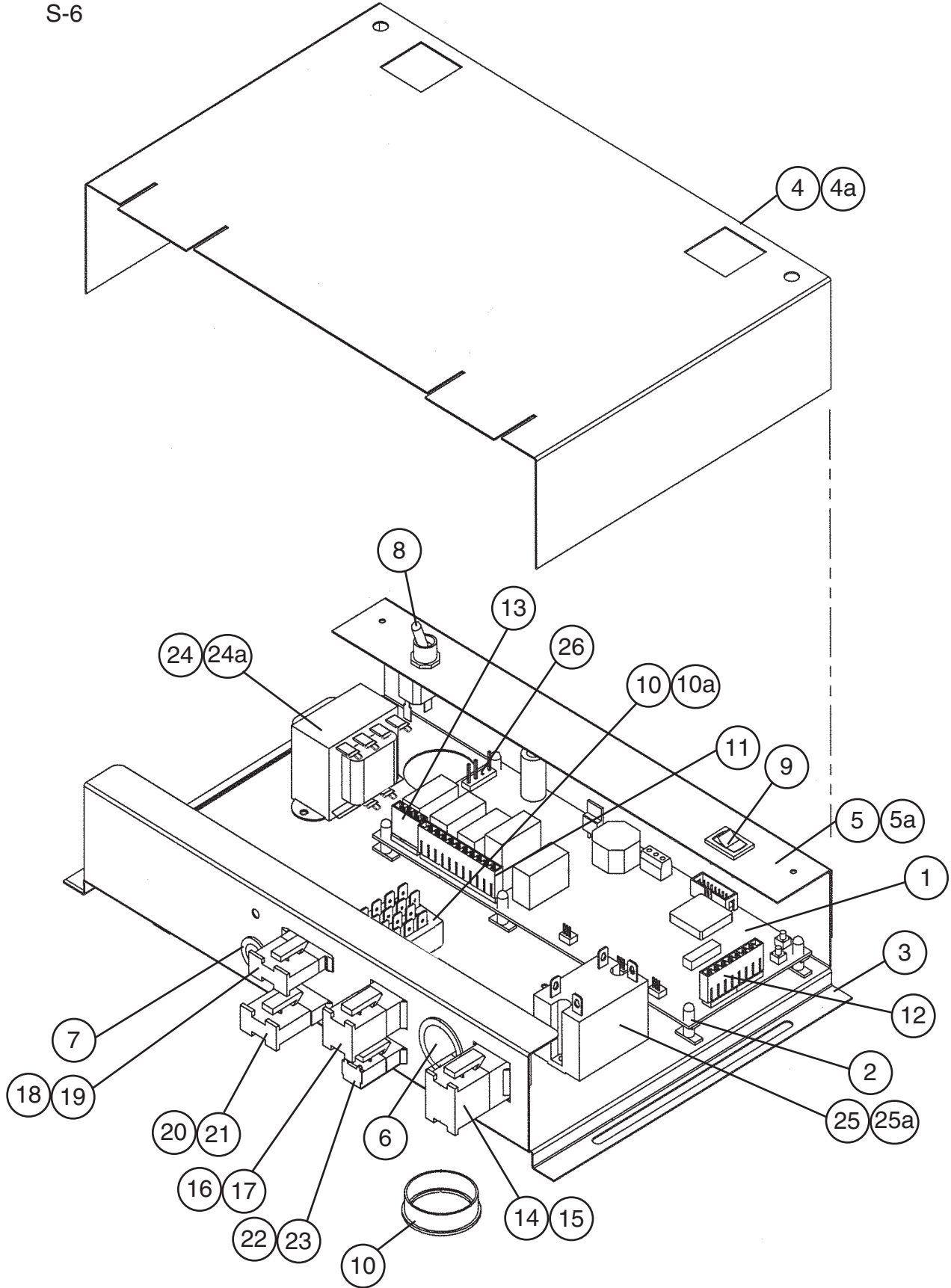


Title: K. Control Box Assembly Model: FH1-SSB(-HD)												
Index No.	Description	Material or Model Number	Part Number	Required Number								
				H-0	J-0 to L-5	M-5	M-6 to P-5	P-6 to S-5	S-6			
KK	Common Control Box	-	2A1147A01	1	1	1	1	-				
			2A1147A04					1	-			
			2A1147A01						1			
1	Capacitor-Run	15MFD, 370V	439943-04	1	1	-						
			3A2005-08			1	1	1	-			
2	Capacitor-Start	270-324MFD, 165V	3A0076-06	1	1	1	1	1	-			
		369-451MFD, 125V	4A2134-02						1			
3	Starter	3ARR3W2M1	4A1308-01	1	-							
		GE 3ARR3CT2M5	4A1107-03		1	1	1	1	-			
		117-7441	4A3683-01						1			
3a	T2 Screw	4x8, SS	7P32-0408	1	1	1	1	1	1			
4	Power Cord	-	4A0520-01	1	1	1	-					
5	Grounding Screw	M5	433304-02	1	1	1	1	1	1			
6	Wire Clamp	-	4A0809-02	1	1	1	-					
6a	T2 Screw	4x8, SS	7P32-0408	1	2	2	-					
7	Strap	GS	434580-14	1	1	1	1	-				
			434580-15					1	1			
7a	T2 Screw	4x8, SS	7P32-0408	1	1	1	1	1	1			
8	Plug Housing (3 Pin)	3191-03P	412832-06	1	1	1	1	1	1			
9	Receptacle Housing (3 Pin)	3191-03R1	412831-06	1	1	1	1	1	1			
10	Bushing	SB-1500-21	420470-06	1	1	1	1	1	1			
11	Bushing	SB-625-8	420470-01	1	1	1	-					
12	Mount Bracket	GS	4A1876-01		1	1	1	-				
			4A3363-01					1	1			
12a	T2 Screw	4x8, SS	7P32-0408					2	2			
13	Fuse Holder	HTB92I	4A0892-01					1	1			
14	Fuse	AGC-5 5A 250V	4A0893-09					1	1			

KK. Common Control Box

FH1-SSB(-HD)

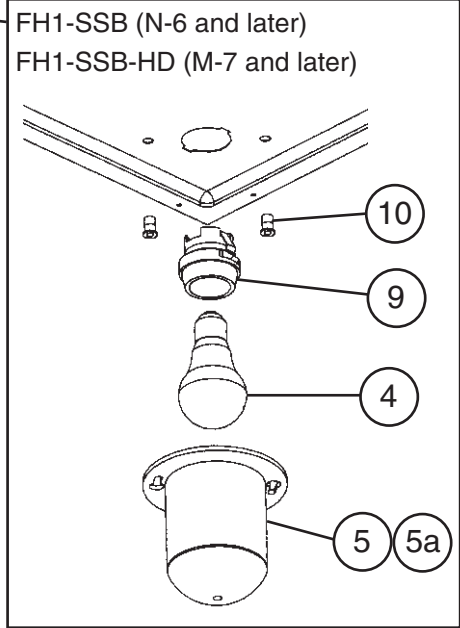
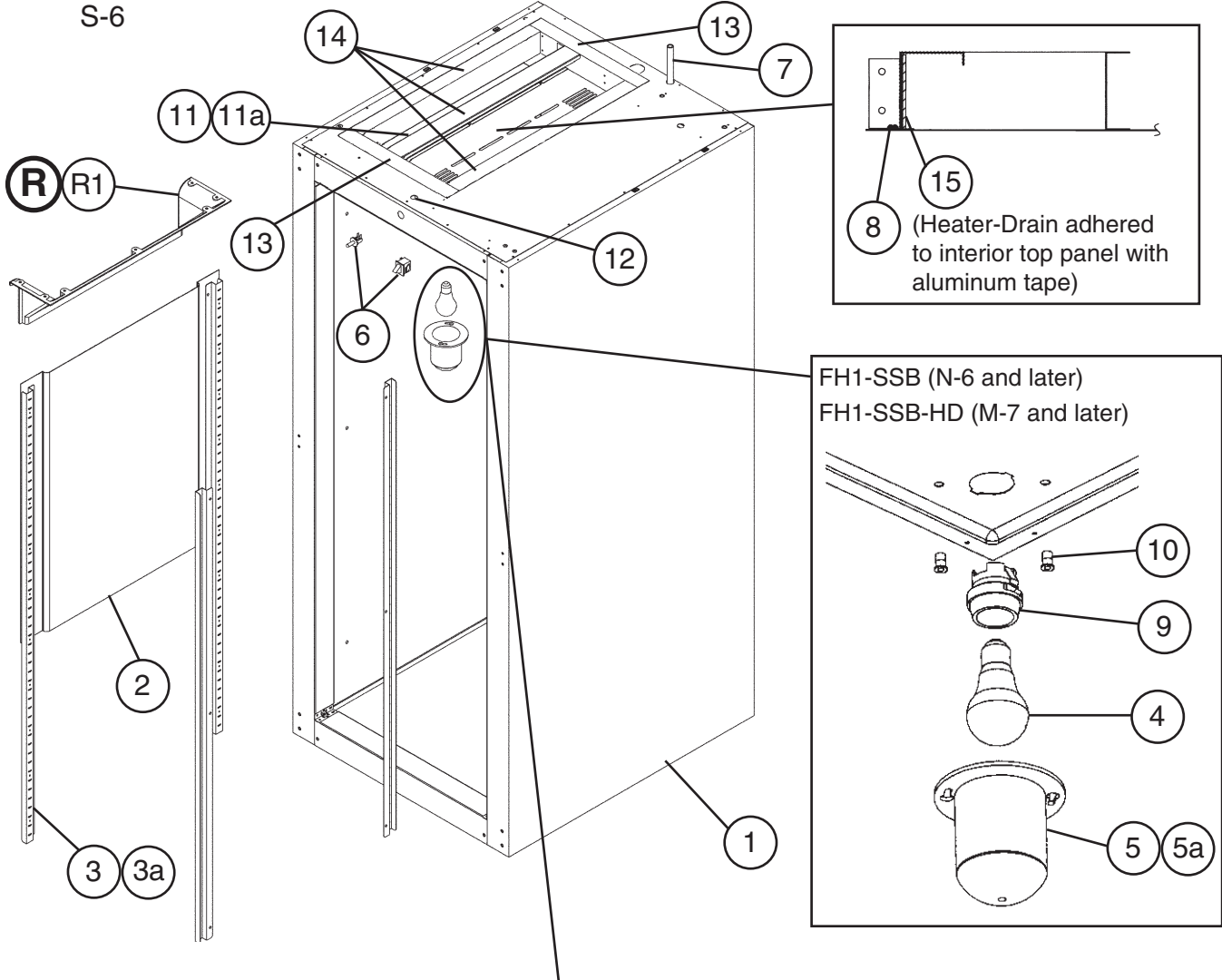
H-0, J-0, J-1, J-2, K-0, K-1, L-5, M-5, M-6, M-7, N-5, N-6, P-5, P-6, P-7, Q-5, R-5, S-5, S-6



Title: KK. Common Control Box Model: FH1-SSB(-HD)											
Index No.	Description	Material or Model Number	Part Number	Required Number							
				H-0 to K-1	L-5 to M-6	M-7 to S-6					
1	Board-Control	-	2A2862-23	1	1	1					
2	Board Support	NYLON	4A0336-03	6	6	6					
3	Base-Control Box	GS	2A1146-01	1	1	1					
4	Cover-Control Box	GS	2A1031-01	1	1	1					
4a	T2 Screw	4x8, SS	7P32-0408	2	2	2					
5	Switch-Bracket	GS	2A1032-02	1	1	1					
5a	T2 Screw	4x8, SS	7P32-0408	2	2	2					
6	Bushing	SB-1093-15	420470-03	1	1	1					
7	Bushing	SB-625-8	420470-01	1	1	1					
8	Switch-Toggle	7802K21	4A0424-01	1	1	1					
9	Switch-Rocker	1801 1102	4A0418-01	1	1	1					
10	Terminal Block	ESB1-6-8	4A1540-01	1	1	-					
		-	4A2619-01			1					
10a	Tapping Screw	3x8	431415-01	1	1	1					
11	Board Connector	5198-10	434003-05	1	1	1					
12	Board Connector	5198-07	434003-07	1	1	1					
13	Board Connector	5198-03	434003-11	1	1	1					
14	Plug Housing (9 PIN)	3191-09P	412832-02	1	1	1					
15	Receptacle Housing (9 PIN)	3191-09R1	412831-02	1	1	1					
16	Plug Housing (6 PIN)	3191-06P	412832-03	1	1	1					
17	Receptacle Housing (6 PIN)	3191-06R1	412831-03	1	1	1					
18	Plug Housing	03-12-2036	4A0425-01	1	1	1					
19	Receptacle Housing	03-12-1035	4A0426-01	1	1	1					
20	Receptacle Housing (4 PIN)	3191-04R1	412831-05	1	1	1					
21	Plug Housing (4 PIN)	3191-04P	412832-05	1	1	1					
22	Receptacle Housing (2 PIN)	3191-02R1	412831-07	1	1	1					
23	Plug Housing (2 PIN)	3191-02P	412832-07	1	1	1					
24	Transformer	26D285H	3A0172-01	1	-						
		-	3A1759-01			1	1				
24a	Tapping Screw	3x8	431415-01	2	2	2					
25	Compressor Relay	HE1AN-AC120V	4A1307-01	1	1	1					
25a	Tapping Screw	3x8	431415-01	2	2	2					
26	Board Connector	5198-03	434003-09	1	1	1					

L. Body-Prefinal FH1-SSB(-HD)

H-0, J-0, J-1, J-2, K-0, K-1, L-5, M-5, M-6, M-7, N-5, N-6, P-5, P-6, P-7, Q-5, R-5, S-5, S-6

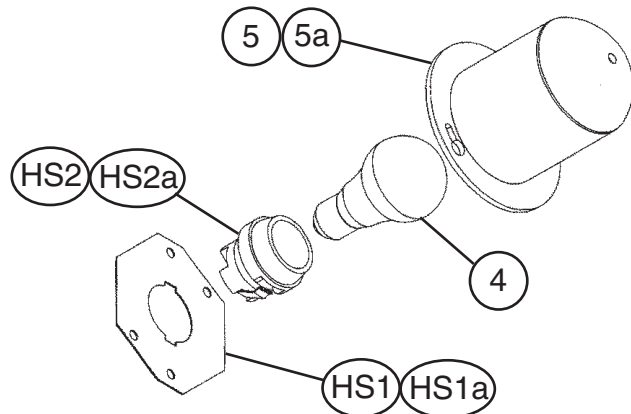


FH1-SSB (M-7 and earlier)
FH1-SSB-HD (M-6 and earlier)

The santoprene light socket was changed to a porcelain lampholder at N-6 for the FH1-SSB and M-7 for the FH1-SSB-HD. This change is non-interchangeable. If the light socket is not operating on a unit with a santoprene light socket, Hoshizaki recommends replacement with HS-3554.

Note:

Parts 4, 5 and 5a are not included in HS-3554; they are shown for reference only.

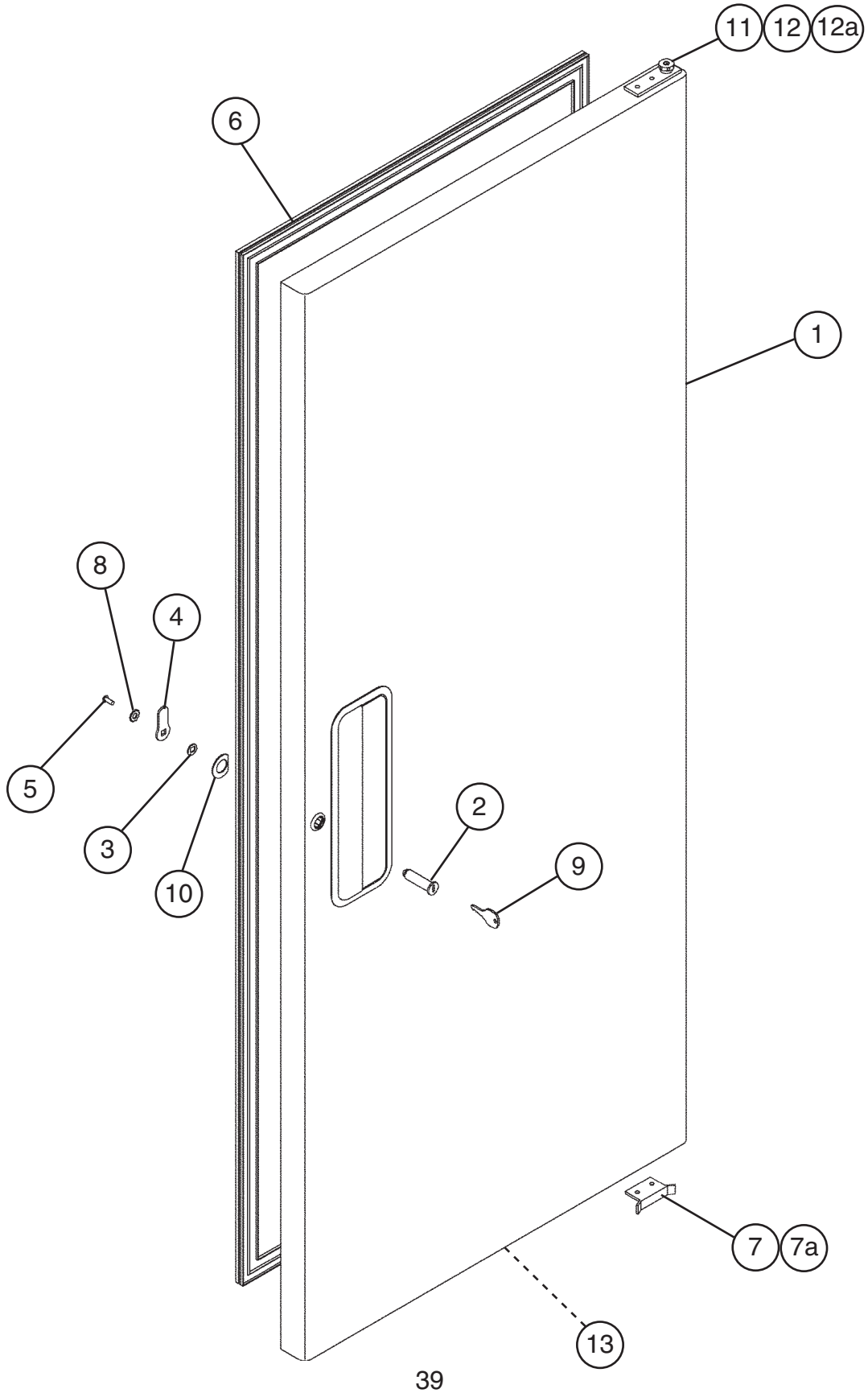


Title: L. Body-Prefinal Model: FH1-SSB(-HD)												
Index No.	Description	Material or Model Number	Part Number	Required Number								
				H-0	J-0	J-1	J-2 to M-6	M-7 N-5	N-6 P-5	P-6 to S-6		
R	Distributor-Air Top Assembly	ABS	2A0438G01	1	1	1	1	1	1	1	-	
			2A3086A01								1	
R1	T2 Screw	4x8, SS	7P32-0408	7	7	7	7	7	7	7	7	
1	Cabinet Prefoam	FH1-SSB	1A0173G01	1	1	1	1	1	1	-		
			1A0173G05							1	1	
		FH1-SSB-HD	1A0353G01	1	1	1	1	-				
			1A0353G04					1	1	1		
2	Distributor-Air (Bottom)	SS	2A0425-01	1	1	1	1	1	1	1		
3	Pilaster	SS	3A0145-01	4	4	4	4	4	4	4		
3a	Truss Head Screw	5x10, SS	7C32-0510	12	12	12	12	12	12	12		
4	Bulb-Light	FH1-SSB (GE, 40A15)	4A0437-01	1	1	1	1	1	-			
			4A2420-01						1	1		
		FH1-SSB-HD (GE, 40A15)	4A0437-01	1	1	1	1	-				
			4A2420-01					1	1	1		
5	Shield-Light	Standard Kiel	4A0465-01	1	1	1	1	1	1	1		
5a	Truss Head Screw	5x10, SS	7C32-0510	2	2	-						
	Cheese Head Screw	5x12, SS	7C52-0512			2	2	2	2	2		
6	Switch-Door	FH1-SSB (Nylon)	4A0487-01	1	-							
			3A1386-01		1	1	1	1	-			
			3A1826-01						1	1		
		FH1-SSB-HD (Nylon)	4A0487-01	2	-							
			3A1386-01		2	2	-					
			3A1826-01				2	2	2	2		
7	Vinyl Hose	L=1700	7716-0913	1	-							
			773013812		1	1	1	1	1	1		
8	Heater-Drain	10758 25W 115V	4A2975-03							1		
9	Lampholder	FH1-SSB	4A2862-01	Non-interchangeable part change. If light socket is not operating for these codes, Hoshizaki recommends replacement with HS-3554 (below).					-	1	1	
		FH1-SSB-HD	4A2862-01						1	1	1	
10	Threaded Insert - Wide	FH1-SSB	4A0839-01						-			
		FH1-SSB-HD	4A0839-01						-			
11	Divider-Air	-	2A0199-01	1	1	1	1	1	1	1		
11a	T2 Screw	4x8, SS	7P32-0408	4	4	4	4	4	4	4		
12	Bushing	OCB-875	428394-04	2	2	2	-					
13	Gasket-PVC	L=375	4A0414L01	1	2	2	-					
		L=400	4A0414L03				2	2	2	2		
14	Gasket-PVC	L=575	4A0414L01	4	3	3	-					
		L=577	4A0414L03				3	3	3	3		
15	Plate-ABS	-	4A0758-01	1	1	1	1	1	1	1		

HS-3554-Lampholder Conversion Kit					
Index No.	Description	Material or Model Number	Part Number	Required Number	
				FH1-SSB (M-7 and earlier)	FH1-SSB-HD (M-6 and earlier)
HS1	Plate-Lampholder Mount	SS	4A2880-01	1	
HS1a	Cheese Head Screw	SS	7C52-0512	2	
HS2	Lampholder	-	4A2862-01	1	
HS2a	Terminal-Flag	DNFR18-250FIBK	8101-18FJ	2	

M. Door-Right
FH1-SSB

H-0, J-0, J-1, J-2, K-0, K-1, L-5, M-5, M-6, M-7, N-5, N-6, P-5, P-6, P-7, Q-5, R-5, S-6

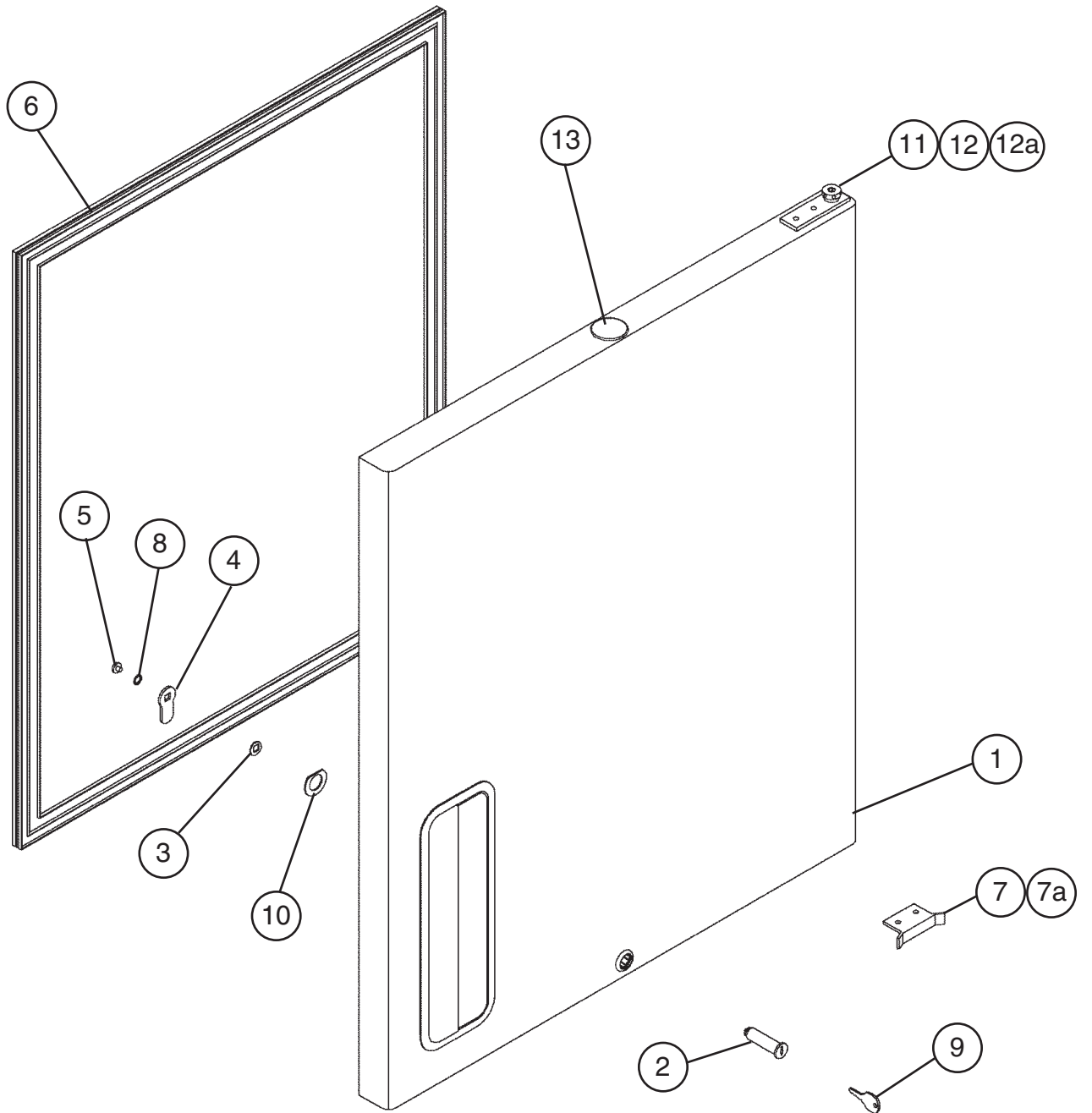


Title: **M. Door-Right** Model: **FH1-SSB**

Index No.	Description	Material or Model Number	Part Number	Required Number								
				H-0	J-0 to K-1	L-5 to S-6						
1	Door-Prefoam (R)	-	1A0317G01	1	1	-						
			1A0317G03			1						
2	Lock-Tumbler	M4-5813-001	4A0462-01	1	1	1						
3	Lock-Stop Washer	M5-8060-103	4A0458-01	1	1	1						
4	Cam-Door Lock	SS	4A0228-01	1	1	1						
5	Lock-Screw	SS	4A0461-01	1	1	1						
6	Gasket-Door	JARROW #P-2209 244A GRAY	3A0273-01	1	1	1						
7	Stop-Door	SS	4A0351-01	1	1	-						
7a	Screw-Countersunk	5x20, SS	7C42-0520	2	-							
	Truss Head Screw	5x20, SS	7C32-0520		2	-						
8	Lock-Washer	SS	4A0459-01	1	1	1						
9	Lock-Key	M5-0680-111	4A0460-01	1	1	1						
10	Washer-Door Lock	SS	4A0670-01	1	1	1						
11	Hinge-Spring (R) (Included in item 12: 4A0438-01)	Black	4A3312-01	1	1	1						
12	Hinge-Spring Cart (R) (Included in item 1: 1A0317G01, 1A0317G03)	-	4A0438-01	1	1	1						
12a	Countersunk Screw (Included in item 1: 1A0317G01, 1A0317G03)	5x20, SS	7C42-0520	2	2	2						
13	Locking Hole Plug	-	4A0586-02	1	-							
			4A0586-03		1	-						
			4A0586-06			1						

N. Door-Half (UR)
FH1-SSB-HD

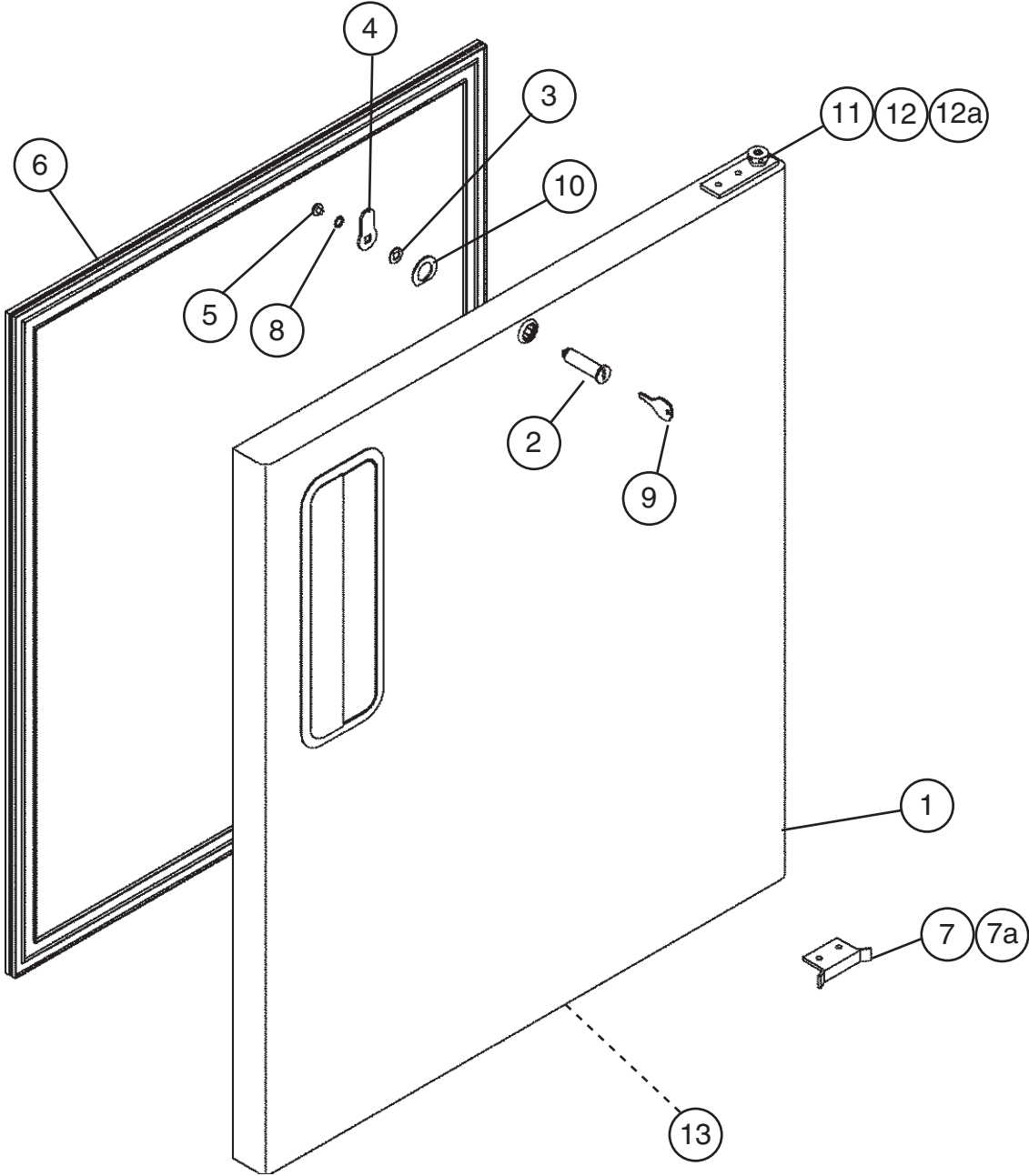
H-0, J-0, J-1, J-2, K-0, K-1, L-5, M-6, M-7, N-6, P-6, Q-5, R-5, S-5, S-6



Title: N. Door-Half (UR) Model: FH1-SSB-HD										
Index No.	Description	Material or Model Number	Part Number	Required Number						
				H-0	J-0 to K-1	L-5 to S-6				
1	Door-Prefoam (UR)	-	1A0325G01	1	1	-				
			1A0325G03			1				
2	Lock-Tumbler	M4-5813-001	4A0462-01	1	1	1				
3	Lock-Stop Washer	M5-8060-103	4A0458-01	1	1	1				
4	Cam-Door Lock	SS	4A0228-01	1	1	1				
5	Lock-Screw	SS	4A0461-01	1	1	1				
6	Gasket-Door (Half)	JARROW #P-2209 244A GRAY	3A0273-02	1	1	1				
7	Stop-Door	SS	4A0351-01	1	1	-				
7a	Screw-Countersunk	5x20, SS	7C42-0520	2	-					
	Truss Head Screw	5x20, SS	7C32-0520		2	-				
8	Lock-Washer	SS	4A0459-01	1	1	1				
9	Lock-Key	M5-0680-111	4A0460-01	1	1	1				
10	Washer-Door Lock	SS	4A0670-01	1	1	1				
11	Hinge-Spring (R) (Included in item 12: 4A0438-01)	Black	4A3312-01	1	1	1				
12	Hinge-Spring Cart (R) (Included in item 1: 1A0325G01, 1A0325G03)	-	4A0438-01	1	1	1				
12a	Countersunk Screw (Included in item 1: 1A0325G01, 1A0325G03)	5x20, SS	7C42-0520	2	2	2				
13	Locking Hole Plug	DP-1093	4A0586-02	1	-					
			4A0586-03		1	-				
			4A0586-06			1				

P. Door-Half (LR)
FH1-SSB-HD

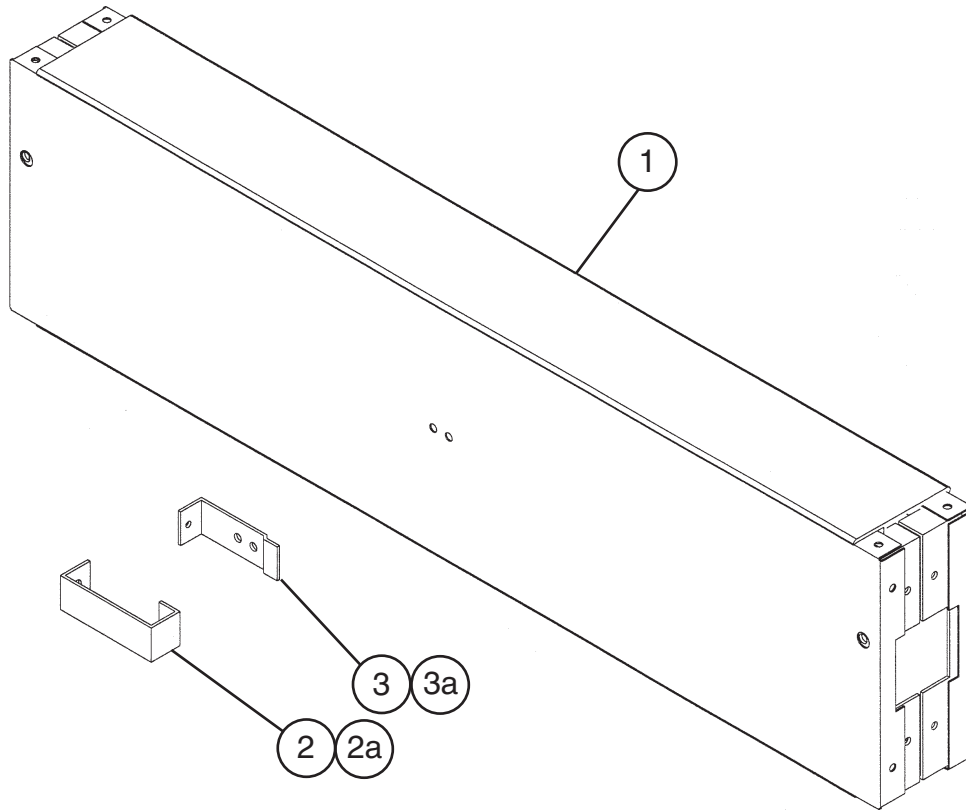
H-0, J-0, J-1, J-2, K-0, K-1, L-5, M-6, M-7, N-6, P-6, Q-5, R-5, S-5, S-6



Title: P. Door-Half (LR) Model: FH1-SSB-HD											
Index No.	Description	Material or Model Number	Part Number	Required Number							
				H-0	J-0 to K-1	L-5 to S-6					
1	Door-Prefoam (LR)	-	1A0323G01	1	1	-					
			1A0323G03			1					
2	Lock-Tumbler	M4-5813-001	4A0462-01	1	1	1					
3	Lock-Stop Washer	M5-8060-103	4A0458-01	1	1	1					
4	Cam-Door Lock	SS	4A0228-01	1	1	1					
5	Lock-Screw	SS	4A0461-01	1	1	1					
6	Gasket-Door (Half)	JARROW #P-2209 244A GRAY	3A0273-02	1	1	1					
7	Stop-Door	SS	4A0351-01	1	1	-					
7a	Screw-Countersunk	5x20, SS	7C42-0520	2	-						
	Truss Head Screw	5x20, SS	7C32-0520		2	-					
8	Lock-Washer	SS	4A0459-01	1	1	1					
9	Lock-Key	M5-0680-111	4A0460-01	1	1	1					
10	Washer-Door Lock	SS	4A0670-01	1	1	1					
11	Hinge-Spring (R) (Included in item 12: 4A0438-01)	Black	4A3312-01	1	1	1					
12	Hinge-Spring Cart (R) (Included in item 1: 1A0323G01, 1A0323G03)	-	4A0438-01	1	1	1					
12a	Countersunk Screw (Included in item 1: 1A0323G01, 1A0323G03)	5x20, SS	7C42-0520	2	2	2					
13	Locking Hole Plug	DP-1093	4A0586-02	1	-						
			4A0586-03		1	-					
			4A0586-06			1					

**Q. Mullion-Horizontal
FH1-SSB-HD**

H-0, J-0, J-1, J-2, K-0, K-1, L-5, M-6, M-7, N-6, P-6, Q-5, R-5, S-5, S-6

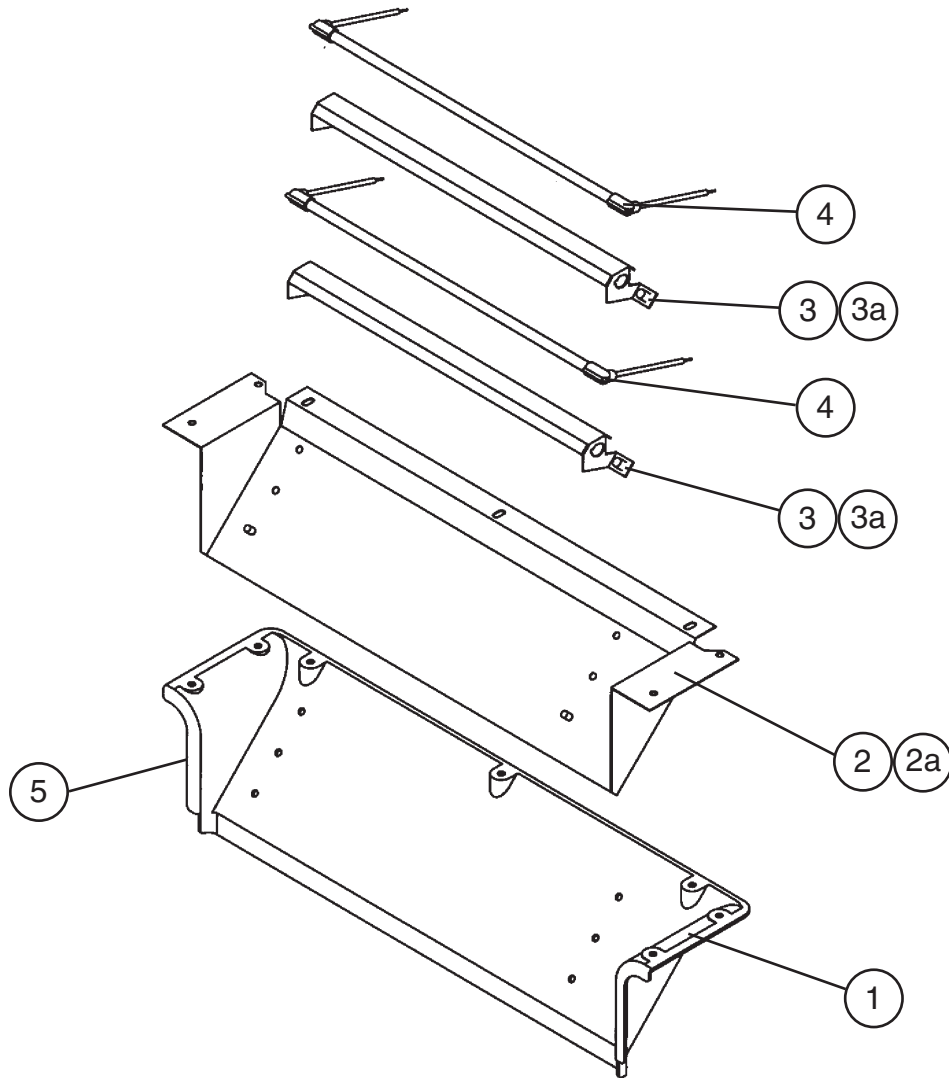


Title: Q. Mullion-Horizontal Model: FH1-SSB-HD											
Index No.	Description	Material or Model Number	Part Number	Required Number							
				H-0 J-0	J-1 to K-1	L-5 M-6	M-7 to S-6				
1	Mullion-Prefoam (H)	Non-Heated	2A1313G01	1	1	-					
		Heated	2A1313G04			1	1				
2	Plate-Strike (Front)	SS	4A0355-01	1	1	1	1				
2a	Truss Head Screw	4x6, SS	7C32-0406	1	-						
	T2 Screw	4x8, SS	7P32-0408		1	1	-				
	Truss Head Screw	4x8, SS	7C32-0408				1				
3	Plate-Strike (Base)	SS	4A0354-01	1	1	1	1				
3a	T2 Screw	4x8, SS	7P32-0408	2	2	2	2				

R. Distributor-Air Top Assembly

FH1-SSB(-HD)

H-0, J-0, J-1, J-2, K-0, K-1, L-5, M-5, M-6, M-7, N-5, N-6, P-5, P-6, P-7, Q-5, R-5, S-5, S-6



Title: R. Distributor-Air Top Assembly Model: FH1-SSB(-HD)				Required Number								
Index No.	Description	Material or Model Number	Part Number	H-0 to P-5	P-6	P-7 to S-6						
				1	Distributor-Air (Top)	ABS	2A0610-01	1	-	-		
			2A0610-03		1	-						
			2A0610-04			1						
2	Shield-Duct	SS	2A3085-01		1	-						
			2A3392-01			1						
2a	Truss Head Screw	5x12, SS	7C32-0512		2	2						
3	Bracket-Heater Supply	-	3A3096G01		2	2						
3a	Truss Head Screw	5x12, SS	7C32-0512		4	4						
4	Heater-Glass Tube	-	3A2335-02		2	2						
5	Gasket	L=1200	4A0808L02	1	1	1						

S. Accessories & Packaging

FH1-SSB(-HD)

H-0, J-0, J-1, J-2, K-0, K-1, L-5, M-5, M-6, M-7, N-5, N-6, P-5, P-6, P-7, Q-5, R-5, S-5, S-6

Title: S. Accessories & Packaging Model: FH1-SSB(-HD)												
Index No.	Description	Material or Model Number	Part Number	Required Number								
				H-0 to S-6								
1	Instruction Manual	-	91A34010N	1								
2	Shelf (3 pack)	HS-3508	3A1416A03	1								
3	Legs (Box of 4)	HS-3512	4A0930-01	1								
-	Packaging (Available only for models currently in production.)											
	FH1-SSB	-	1A1102A07	1								
	FH1-SSB-HD	-	1A1102A08	1								